

# Fig 77 TMV 3



## FEATURES & BENEFITS

- Blends hot and cold water to ensure constant, controlled safe outlet temperature
- Fulfils the 'duty of care' requirements against scalding
- Ideal for healthcare, schools, workplace & domestic environments
- Flat face union ensures easy removal for maintenance
- Integral strainers and check valves
- Tamper proof adjustment

## MATERIALS

Name	Material	Quantity
O-Ring	EPDM Rubber	7
1.5 Strainer	Stainless Steel 304	2
Reduction Union	DZR Brass CW602N	2
Element	Vernet 0304	1
Spring	Stainless Steel 304	1
Top	DZR Brass CW602N	1
Valve Body	DZR Brass CW602N	1



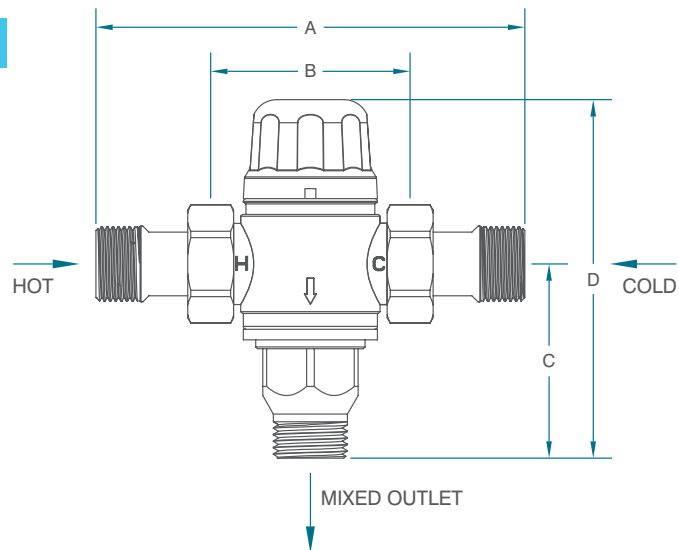
Fig 77 TMV 3

## DIMENSIONS AND WEIGHTS

SIZE	A (mm)	B (mm)	C (mm)	D (mm)	Weight (kg)
15mm	122	58	55	102	0.6
22mm	145	58	70	117	0.8

FACTORY SETTING	38°C
TEMPERATURE SETTING RANGE	35-46°C
MINIMUM HOT TO MIX TEMPERATURE	10°C
TEMPERATURE STABILITY	±2°C
MAXIMUM WORKING PRESSURE	10 Bar
Kv	1.26
MINIMUM FLOW PRESSURE	0.2 Bar

## DIMENSIONAL DRAWING



Pressure Rating: PN10 • Operator: Lockshield • Specification: Fig 77 has been independently tested and certified as meeting the requirements of the D08 specification under the TMV 3 scheme. Hattersley products are designed for installation and use within suitably designed systems reflecting CIBSE, BSRIA and HVAC guidelines.



PO BOX 719, IPSWICH, IP1 9UD  
 HOME SALES: +44 (0)1744 458670  
 EXPORT SALES: +44 (0)1744 458671  
 TECHNICAL HELPLINE: 0845 604 1790

FAX: +44 (0)1744 26912  
 EMAIL: [uksales@hattersley.com](mailto:uksales@hattersley.com)  
 EMAIL: [export@hattersley.com](mailto:export@hattersley.com)  
[www.hattersley.com](http://www.hattersley.com)

Every effort has been made to ensure that the information contained in this publication is accurate at the time of publishing. Crane Ltd assumes no responsibility or liability for typographical errors or omissions or for any misinterpretation of the information within the publication and reserves the right to change without notice.

HLFIG 77\_07\_2010