

Fig. C266 & H266 Hook-Up (With Drain & Strainer)

FEATURES & BENEFITS

The Hook-Up is compact and lightweight

- The standardised components with guaranteed tested performance
- Integrated union joints allow for custom alignment
- 80mm supply/return centres allow for ease of lagging
- Simple on-site connection
- Fast connection of one complete assembly

Comprising of two T-ported ball valves

- Allows easy back flushing, forward flushing and isolation
- The position of the T-handle gives clear indication of flow/bypass mode
- Designed around 3/4" full bore ball for optimum flow
- Can be adapted to 1/2", 3/4" and 1" end connections
- Simple attachment to existing hangers

MATERIAL SPECIFICATION

No.	Component	Material	Specification	Qty
1	Bypass H-Body	Bronze	BS EN 1982 CC491K	1
2	Tailpiece	DZR Brass	BS EN 12164 (CW602N)	2
3	D299P Strainer Drain	Bronze	BS EN 1982 (CC491K)	1
4	Fig. 1732 FODRV	Bronze	BS EN 1982 (CC491K)	1

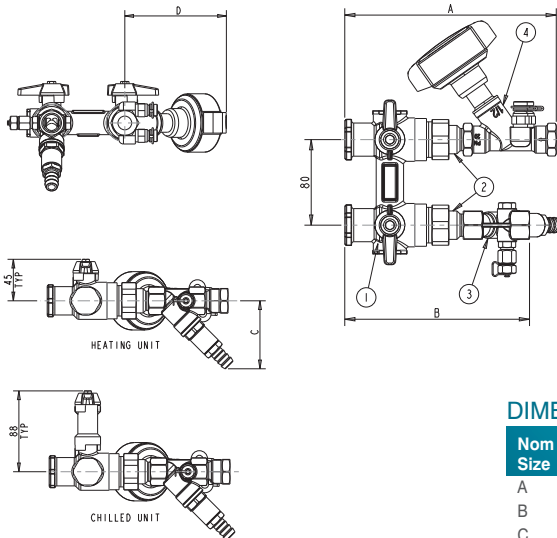


Fig. C266



Fig. H266

DIMENSIONAL DRAWINGS



PRESSURE/ TEMPERATURE RATING

PN16 -10 to 100°C

END CONNECTIONS

Flushing bypass body
- BSP Parallel,
Strainers & Tailpieces
- BSP Taper

SPECIFICATION

Bronze (BS EN 1982 CC491K) fan-coil valve / terminal unit valve assembly. Pre-assembled to the requirements of each individual terminal unit to include a flushing by-pass with integral isolation valves. Options for low flow, flow measurement device, strainer/drain and pressure test points as a where specified. Extended handles will be fitted for Chilled Water applications.

Valve assembly will be labelled to include the terminal unit reference number and flow rate.

DIMENSIONS & WEIGHTS

Nom Size		DN15/15	DN20/15	DN20/20	DN25/20	DN25/25
A	mm	205	205	215	240	265
B	mm	175	175	180	205	220
C	mm	75	75	80	80	85
D	mm	110	110	111	111	132
Weight	kg	2.5	2.5	2.7	3.1	2.7

Every effort has been made to ensure that the information contained in this publication is accurate at the time of publishing. Hattersley Ltd assumes no responsibility or liability for typographical errors or omissions or for any misinterpretation of the information within the publication and reserves the right to change without notice.

280717