

Fig. F400 Flow
Fig. R400 Return



FEATURES & BENEFITS

- A high performing differential pressure control valve fitted in the supply or return pipework (dependant on version), regulating both differential pressure and flow rate
- Differential pressure activation range (DP Range) from 20 to 100 kPa
- Integrated valve position indicator for visual inspection
- Tested in accordance with the BSRIA guidance standard

MATERIAL SPECIFICATION

No.	Component	Material
1	Body	Bronze BS EN 1982 (CC491K)
2	Bonnet	Bronze BS EN 1982 (CC491K)
3	Chamber	Bronze BS EN 1982 (CC491K)
4	Adjuster	Nylon Grade PA6
5	Plug R 1/4"	DZR Brass BS EN 12164 (CW602N)
INT	Stem / Piston	Stainless Steel BS EN 10088 - 1:2005
INT	Diaphragm	Rubber EPDM
NT	O-Ring Seals	Rubber EPDM

See diagrams for item numbers

INT denotes an internal component not visible on these drawings

DIMENSIONS & WEIGHTS

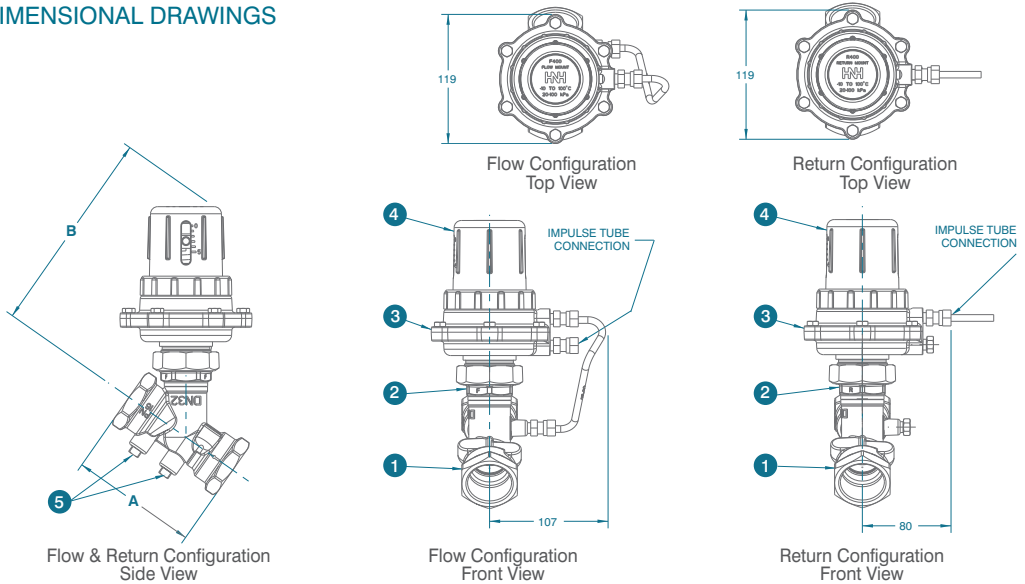
Size		DN15	DN20	DN25	DN32	DN40	DN50
A	mm	87	96	100	114	125	146
B	mm	175	175	185	190	195	205
End Connection	in	Rp 1/2"	Rp 3/4"	Rc 1"	Rc 1 1/4"	Rc 1 1/2"	Rc 2"
EN10226		Parallel	Parallel	Taper	Taper	Taper	Taper
Flow (Fully Open)	Kv	2.32	3.2	6.45	11.0	15.39	24.68
Weight	kg	2.32	2.36	2.53	2.73	3.01	3.46

DN15 & DN20 End Connections: EN10226 Rp Parallel

DN25 to DN50 End Connections: EN10226 Rc Taper



DIMENSIONAL DRAWINGS



For commissioning valve coefficients (Kv) please refer to relevant section in this brochure. (See Index)

Every effort has been made to ensure that the information contained in this publication is accurate at the time of publishing. Hattersley Ltd assumes no responsibility or liability for typographical errors or omissions or for any misinterpretation of the information within the publication and reserves the right to change without notice.

10/15