

Companion Valve – DPF1732



MATERIAL SPECIFICATION

No.	Component	Material
1	Body	Bronze BS EN 1982 (CC491K)
2	Bonnet DN15 to DN32 Bonnet DN40 to DN50	DZR Brass BS EN 12164 (CW602N) Bronze BS EN1982 (CC491K)
3	Stem	DZR Brass BS EN 12164 (CW602N)
4	Disc (DN25 Only) Disc (DN32 to DN50)	DZR Brass BS EN 12164 (CW602N) DZR Brass BS EN 12164 (CW602N)
5	Handwheel	Plastic
6	O-Ring Seal	EPDM Rubber WRAS Approved
7	Orifice Insert	DZR Brass BS EN 12164 (CW602N)
8	Test Valve	DZR Brass BS EN 12164 (CW602N)
9	Plug R 1/8"	DZR Brass BS EN 12164 (CW602N)
10	Plug R 1/4"	DZR Brass BS EN 12164 (CW602N)

DIMENSIONS & WEIGHTS

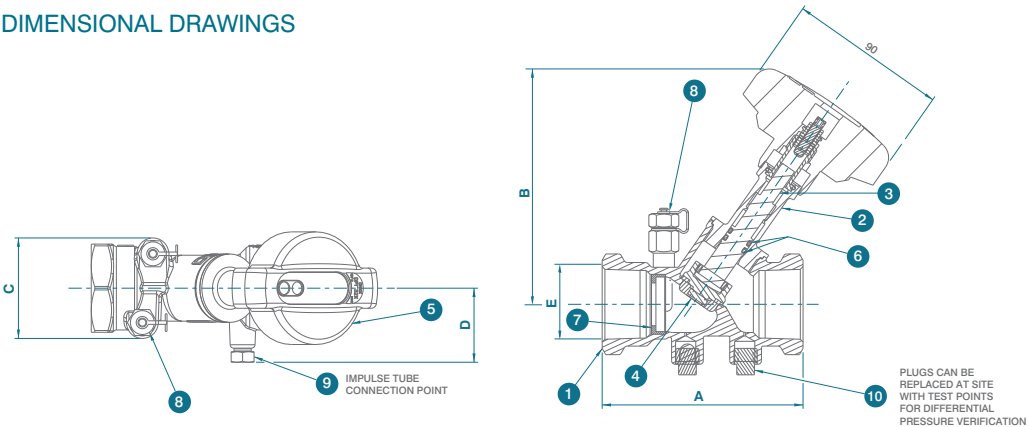
Fig. No.		DPF 1732						DPF 1732L	DPF 1732M	
		DN15	DN20	DN25	DN32	DN40	DN50	DN15	DN15	
A	mm	87	96	100	114	125	146	87	87	
B	mm	105	106	127	128	143	144	105	105	
C	mm	50	54	62	66	70	78	50	50	
D	mm	34	36	39	43	46	48	34	34	
E	End Connection EN10226	Rp 1/2" Parallel	Rp 3/4" Parallel	Rc 1" Taper	Rc 1 1/4" Taper	Rc 1 1/2" Taper	Rc 2" Taper	Rp 1/2" Parallel	Rp 1/2" Parallel	
Fully Open	Flow	Kv	1.87	3.14	5.59	10.8	18.1	29.1	0.57	1.06
	Head Loss	K	30.27	34.55	27.85	22.60	14.76	14.62	325.8	94.20
		KVs	1.943	4.181	7.46	15.33	23.06	47.7	0.506	1.003
	Weight	kg	0.57	0.61	0.90	1.07	1.42	1.97	0.57	0.57

DN15 & DN20 End Connections: EN10226 Rp Parallel

DN25 to DN50 End Connections: EN10226 Rc Taper

Male-ended Companion Valve is available on request.

DIMENSIONAL DRAWINGS



Every effort has been made to ensure that the information contained in this publication is accurate at the time of publishing. Hattersley Ltd assumes no responsibility or liability for typographical errors or omissions or for any misinterpretation of the information within the publication and reserves the right to change without notice.

2/10/15