

Fig. 1432, 1432L, 1432C, 1432LC Bronze Double Regulating Valve



FEATURES & BENEFITS

- Provides precise and accurate flow regulation
- Easy to operate with handwheel and numerical indicator
- Robust bronze body for long service life
- WRAS Approved for use with potable water to 85°C
- Positive flow control at all handwheel settings



MATERIAL SPECIFICATION

Component	Material	Specification BS EN
Handwheel	Plastic	-
Stem	DZR copper alloy	12165 CW602N
Stem Seals	EPDM	-
Disc	DZR copper alloy	12165 CW602N
Disc Seal (1-2")	PTFE	-
Bonnet	DZR copper alloy	12165 CW602N
Body	Bronze	1982 CC491K

PRESSURE/TEMPERATURE RATING

Threaded Ends
BS 7350 PN20
17.2 bar at 120°C
20 bar at -10 to 100°C

Compressions Ends
5 bar at 120°C
6 bar at 110°C
10 bar at 65°C
16 bar from -10 to 30°C
WRAS approval temperature -10 to 85°C

TEST PRESSURES

Shell: 30 bar
Seat: 22 bar

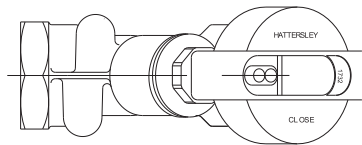
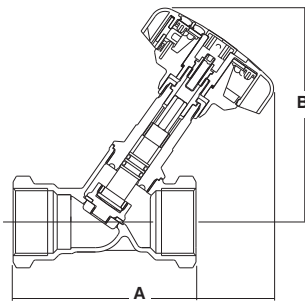
SPECIFICATION

Kitemarked to BS 7350:1990.
Handwheel operated.
Numerical indicator.
Inside screw non-rising handwheel.
Characterised regulating disc.
Flow charts available.
End connections threaded.
Sizes 1 to 2" taper threaded BS EN 10266 (ISO 7-1) formerly BS 21.
Sizes 1/2" & 3/4" to ISO 228 parallel.
Sizes DN15 & DN20 when used with compression. Adaptors suitable for copper pipe to BS EN 1057 R250 (half hard).
WRAS Approved Product.

APPLICATION

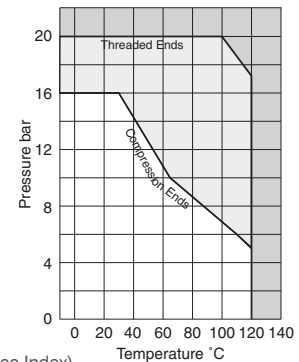
Figure 1432 can be used with Hattersley metering stations for commissioning.

DIMENSIONAL DRAWINGS



DIMENSIONS & WEIGHTS

Nom Size	in	1/2 ^L	1/2	3/4	1	1 1/4	1 1/2	2
A	mm	87	87	96	100	114	125	146
A (Compression)	mm	105	105	118	-	-	-	-
B	mm	110	110	111	132	133	148	149
Weight	kg	0.54	0.54	0.58	0.88	1.05	1.43	1.88



For commissioning valve coefficients (Kv) please refer to relevant section in this brochure. (See Index)

Every effort has been made to ensure that the information contained in this publication is accurate at the time of publishing. Hattersley Ltd assumes no responsibility or liability for typographical errors or omissions or for any misinterpretation of the information within the publication and reserves the right to change without notice.