

# Fig. 4993G

## Steel Fully-lugged Double Regulating Valve



### FEATURES & BENEFITS

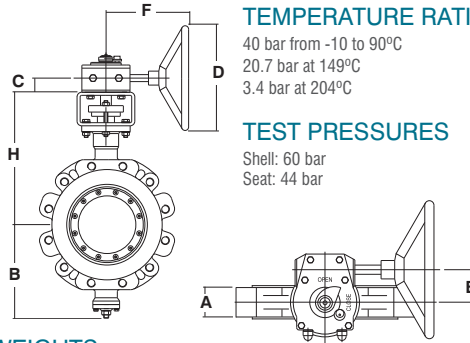
- Precise flow regulation
- Flanged with handwheel – easy to install and operate
- Positive flow control at all handwheel settings
- Bi-directional isolation
- Double eccentric disc



### MATERIAL SPECIFICATION

Component	Material	Specification	
		BS EN	ASTM
Disc Seal Ring	PTFE or PTFE/Neoprene	-	-
Retaining Ring	Stainless Steel	10270 X10CrNi18-8	A276-304
Stem	Stainless Steel	10270 X10CrNi18-8	A276-304
Disc Pin	Stainless Steel	10270 X10CrNi18-8	A276-304
Bottom Cap	Steel	-	-
Gland Packing	PTFE Graphite	-	-
Bearings	Bronze-PTFE	-	-
Gearbox	Cast Iron	1561 EN-JLI030	A126 CI B
Handwheel	Steel	-	-
Body	Steel	10213-2 GP240GH	A216 WCB
Body Seat	Stainless Steel	10270 X10CrNi18-8	A276-304
Disc	Stainless Steel	10270 X10CrNi18-8	A276-304

### DIMENSIONAL DRAWINGS



### PRESSURE/TEMPERATURE RATING

40 bar from -10 to 90°C  
 20.7 bar at 149°C  
 3.4 bar at 204°C

### TEST PRESSURES

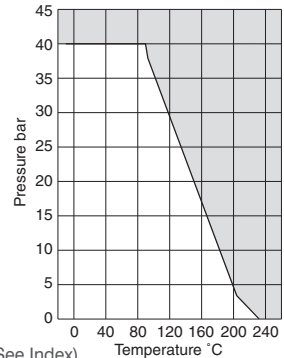
Shell: 60 bar  
 Seat: 44 bar

### SPECIFICATION

Designed to BS EN 593:2009.  
 Face to face dimensions to BS EN 558-1 basic series 16.  
 Reinforced PTFE disc seal.  
 Stainless steel body seat.  
 Double eccentric disc.  
 Bi-directional isolation.  
 Valves fitted with double regulating feature.  
 Actuator flange ISO 5211/1.  
 To suit flange connections BS EN 1092-2 PN40, alternative flanges available.

### DIMENSIONS & WEIGHTS

Nom Size	mm	50	65	80	100	125	150
A	mm	43	46	64	64	70	76
B	mm	123	131	150	175	187	218
H	mm	215	215	220	281	294	317
C	mm	27	27	27	35	35	42
D dia	mm	125	200	200	250	300	300
E	mm	39	39	39	52	52	67
F	mm	152	159	159	184	197	223
Weight	kg	10	12	17	24	33	47



For commissioning valve coefficients (Kv) please refer to relevant section in this brochure. (See Index)

Every effort has been made to ensure that the information contained in this publication is accurate at the time of publishing. Hattersley Ltd assumes no responsibility or liability for typographical errors or omissions or for any misinterpretation of the information within the publication and reserves the right to change without notice.

070316