

# Fig. 4993G Steel Fully-lugged Double Regulating Valve



## FEATURES & BENEFITS

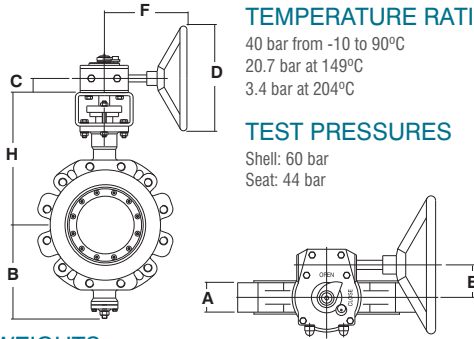
- Precise flow regulation
- Flanged with handwheel – easy to install and operate
- Positive flow control at all handwheel settings
- Bi-directional isolation
- Double eccentric disc



## MATERIAL SPECIFICATION

Component	Material	Specification	
		BS EN	ASTM
Body	Steel	10213-2 GP240GH	A216 WCB
Body Seat	Stainless Steel	10270 X10CrNr18-8	A276-304
Disc	Stainless Steel	10270 X10CrNr18-8	A276-304
Disc Seal Ring	PTFE or PTFE/Neoprene	-	-
Retaining Ring	Stainless Steel	10270 X10CrNr18-8	A276-304
Stem	Stainless Steel	10270 X10CrNr18-8	A276-304
Disc Pin	Stainless Steel	10270 X10CrNr18-8	A276-304
Gland Packing	PTFE Graphite	-	-
Bearings	Bronze-PTFE	-	-
Gearbox	Cast Iron	1561 EN-JL1030	A126 CI B
Handwheel	Steel	-	-

## DIMENSIONAL DRAWINGS



## PRESSURE/TEMPERATURE RATING

40 bar from -10 to 90°C  
20.7 bar at 149°C  
3.4 bar at 204°C

## TEST PRESSURES

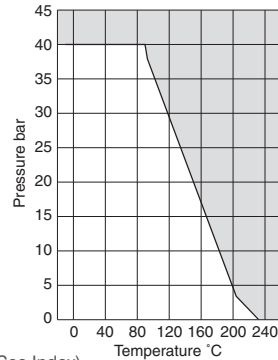
Shell: 60 bar  
Seat: 44 bar

## SPECIFICATION

Designed to BS EN 593:2009.  
Face to face dimensions to BS EN 558-1 basic series 16.  
Reinforced PTFE disc seal.  
Stainless steel body seat.  
Double eccentric disc.  
Bi-directional isolation.  
Valves fitted with double regulating feature.  
Actuator flange ISO 5211/1.  
To suit flange connections BS EN 1092-2 PN40, alternative flanges available.

## DIMENSIONS & WEIGHTS

Nom Size	mm	200	250	300	350	400	450	500	600
A	mm	89	114	114	127	140	152	152	178
B	mm	294	333	382	398	448	473	555	640
H	mm	369	396	461	477	557	583	643	728
C	mm	42	50	50	50	66	66	66	85
D dia	mm	300	457	457	457	610	610	610	500
E	mm	67	90	123	154	138	138	138	253
F	mm	223	279	331	356	477	477	477	554
Weight	kg	79	143	203	288	415	469	589	690



For commissioning valve coefficients (Kv) please refer to relevant section in this brochure. (See Index)

Every effort has been made to ensure that the information contained in this publication is accurate at the time of publishing. Hattersley Ltd assumes no responsibility or liability for typographical errors or omissions or for any misinterpretation of the information within the publication and reserves the right to change without notice.