

Fig. 113
Full Bore Bronze



FEATURES & BENEFITS

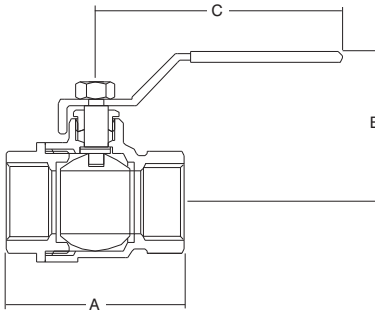
- Light, compact and easy to install and operate
- Robust construction for long life



MATERIAL SPECIFICATION

| Component | Material | Specification ASTM |
|---------------------------|--------------|--------------------|
| Lever | Steel | - |
| Stem | Copper Alloy | B16-C36000 |
| Stem Seals | PTFE | - |
| Ball (hard chrome plated) | Copper Alloy | B16-C36000 |
| Seat Rings | PTFE | - |
| Seat Retainer | Bronze | BS84-C84400 |
| Body | Bronze | BS84-C84400 |

DIMENSIONAL DRAWING



DIMENSIONS & WEIGHTS

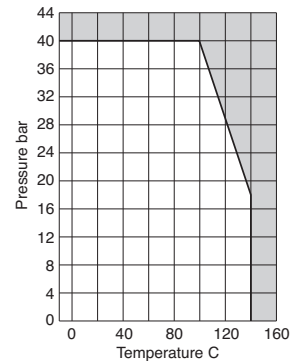
| Nom Size | in | 1/2 | 3/4 | 1 | 1 1/4 | 1 1/2 | 2 |
|----------|----|------|------|------|-------|-------|------|
| A | mm | 55 | 62 | 73 | 83 | 92 | 107 |
| B | mm | 46 | 55 | 62 | 70 | 75 | 82 |
| C | mm | 82 | 103 | 106 | 106 | 150 | 160 |
| Weight | kg | 0.25 | 0.45 | 0.70 | 1.15 | 1.70 | 2.95 |

PRESSURE/TEMPERATURE RATING

40 bar from -10 to 100°C
18 bar at 140°C

SPECIFICATION

Blow-out proof stem.
Full bore hard chrome plated ball.
Virgin PTFE seats and stem seals.
Taper threaded BS EN 10 (ISO 7-1) formerly BS 21.



290616

Every effort has been made to ensure that the information contained in this publication is accurate at the time of publishing. Hattersley Ltd assumes no responsibility or liability for typographical errors or omissions or for any misinterpretation of the information within the publication and reserves the right to change without notice.