

**Fig. 4990G**  
**Steel Fully-lugged**



**FEATURES & BENEFITS**

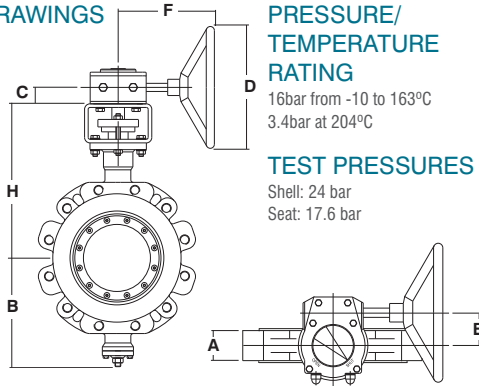
- Carbon steel body with stainless steel seat
- Stainless steel stem and double offset disc
- Reinforced PTFE seat
- End of line servicing up to full rating
- High Kv values



**MATERIAL SPECIFICATION**

Component	Material	Specification	
		BS EN	ASTM
Body	Steel	10213-2 GP240GH	A216 WCB
Body Seat	Stainless Steel	12073 XCrNiMn23-12-2	
Disc	Stainless Steel	10088-1 X17CrNi16-2	AISI 431
Disc Seal Ring	PTFE or PTFE Neoprene	-	
Retaining Ring	Stainless Steel	10088-1 X17CrNi16-2	AISI 431
Stem	Stainless Steel	10088-1 X17CrNi16-2	AISI 431
Disc Pin	Stainless Steel	10088-1 X17CrNi16-2	AISI 431
Bottom Cap	Steel	-	
Gland Packing	PTFE Graphite	-	
Gearbox	Cast Iron	1561 EN-JL1030	A126 CI B
Handwheel	Steel	-	

**DIMENSIONAL DRAWINGS**



**PRESSURE/ TEMPERATURE RATING**

16bar from -10 to 163°C  
3.4bar at 204°C

**TEST PRESSURES**

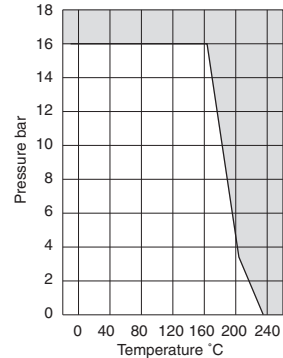
Shell: 24 bar  
Seat: 17.6 bar

**SPECIFICATION**

Designed to BS EN 593:2009.  
Face to face dimensions to BS EN 558-1 basic series 20.  
Reinforced PTFE disc seal.  
Stainless steel body seat.  
Double eccentric disc.  
Bi-directional isolation.  
Valves are supplied gear operated.  
Actuator flange ISO 5211/1.  
To suit flange connections BS EN 1092-2 PN16, alternative flanges available.  
Wafer pattern available Figure 4985G PN16.

**DIMENSIONS & WEIGHTS**

Nom Size	mm	50	65	80	100	125	150
A	mm	43	46	46	52	56	56
B	mm	123	131	150	175	187	218
H	mm	215	215	225	244	260	270
C	mm	27	27	27	27	27	27
D dia	mm	125	200	200	200	200	200
E	mm	39	39	39	39	39	39
F	mm	152	159	159	159	159	159
Weight	kg	9	11	12	15	20	23



Every effort has been made to ensure that the information contained in this publication is accurate at the time of publishing. Hattersley Ltd assumes no responsibility or liability for typographical errors or omissions or for any misinterpretation of the information within the publication and reserves the right to change without notice.