

# Fig. 970 & 970G Fully-lugged Wafer Pattern



## FEATURES & BENEFITS

- Ductile Iron Body
- Aluminium Bronze Disc
- Liner bonded to steel backing ring
- High strength, low friction bearings for upper and lower shafts, to restrain shaft deflection and ensure effective stem sealing
- Long neck for insulation
- Maintenance free



## MATERIAL SPECIFICATION

Component	Material	Specification	
		BS EN	ASTM
Body	Ductile Iron	1563 EN-JS 1040	A536 65-45-12
Shaft	Stainless Steel	10088-1 X5GNi18-10	A276 TYPE 410
Disc	Aluminium Bronze	1982 CC333G	B148-C95300
Bushes (up to 100mm)	PTFE	-	-
125mm and above	Bronze (Lubricated)	-	-
O-Ring	Buna N	-	-
Liner	EPDM	-	-

## PRESSURE/TEMPERATURE RATING

PN16 from -10 up to 130°C

## TEST PRESSURES

Hydrostatic  
Shell: 24 bar  
Seat: 17.6 bar

## SPECIFICATION

Conforms to BS EN 593:2009.

Fully-lugged.

Lever or gearbox.

Valves DN250 and larger supplied as standard with fully enclosed gear operator.

Valves may be used for flow regulation.

Fig. 970 and 970G are suitable for Group 2 liquids as defined by the Pressure Equipment Directive 97/23/EC.

## DIMENSIONS & WEIGHTS

Fig. 970

Nom Size	mm	50	65	80	100	125	150	200
A	mm	195	207	213	232	245	257	305
B	mm	83	95	102	124	136	150	197
C	mm	44	48	48	54	57	57	63
D	mm	32	32	32	32	32	32	44
E	mm	102	121	130	171	197	219	268
F	mm	260	260	260	260	260	260	356
G	mm	32	46	64	90	111	145	193
Weight	kg	4	4.5	7.2	12.6	13.5	14.9	24.1

## DIMENSIONAL DRAWINGS

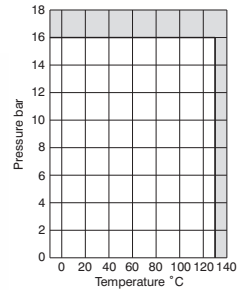
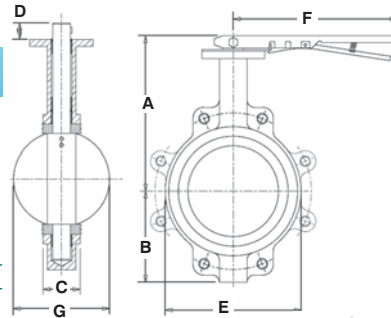
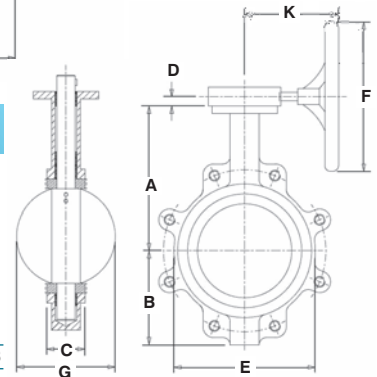


Fig. 970G

Nom Size	mm	50	65	80	100	125	150	200	250	300	350	400	450	500	600
A	mm	162	175	181	200	213	225	260	292	337	368	400	422	479	562
B	mm	83	95	102	124	136	150	197	210	248	279	305	381	381	457
C	mm	44	48	48	54	57	57	63	70	79	79	89	108	133	156
D	mm	42	42	42	42	42	42	40	40	40	40	-	-	-	-
E	mm	102	121	130	171	197	219	268	332	410	435	508	543	592	708
F	mm	150	150	150	300	300	300	300	300	300	300	450	450	450	450
G	mm	32	46	64	90	111	145	193	241	290	325	380	427	474	574
K	mm	240	240	240	240	240	240	230	230	230	230	277	277	321	335
Weight	kg	15.5	16	18.7	24.1	25	26.4	36.7	47.1	62.1	84.9	123.8	139.7	215.5	337.3



Every effort has been made to ensure that the information contained in this publication is accurate at the time of publishing. Hattersley Ltd assumes no responsibility or liability for typographical errors or omissions or for any misinterpretation of the information within the publication and reserves the right to change without notice.