

Fig. 4990G
Steel Fully-lugged



FEATURES & BENEFITS

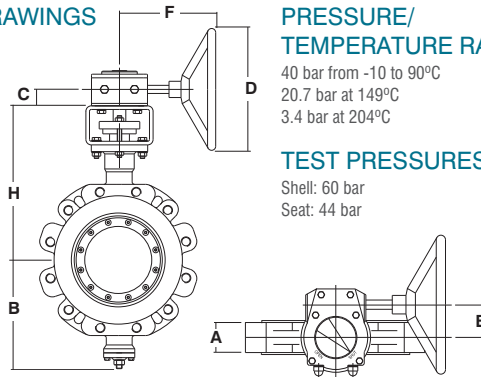
- Carbon steel body with stainless steel seat
- Stainless steel stem and double offset disc
- Reinforced PTFE seat
- End of line servicing up to full rating
- High Kv values



MATERIAL SPECIFICATION

Component	Material	Specification	
		BS EN	ASTM
Body	Steel	10213-2 GP240GH	A216 WCB
Body Seat	Stainless Steel	12073 XCrNiMn23-12-2	
Disc	Stainless Steel	10088-33 X8CrNiS 18-9	AISI 420
Disc Seal Ring	PTFE or PTFE/Neoprene	-	
Retaining Ring	Stainless Steel	10088-1 X17CrNi16-2	AISI 431
Stem	Stainless Steel	10088-1 X17CrNi16-2	AISI 431
Disc Pin	Stainless Steel	10088-1 X17CrNi16-2	AISI 431
Bottom Cap	Steel	-	
Gland Packing	PTFE Graphite	-	
Bearings	Bronze-PTFE	-	
Gearbox	Cast Iron	1561 EN-JL1030	A126 Cl B
Handwheel	Steel	-	

DIMENSIONAL DRAWINGS



PRESSURE/TEMPERATURE RATING

40 bar from -10 to 90°C
20.7 bar at 149°C
3.4 bar at 204°C

TEST PRESSURES

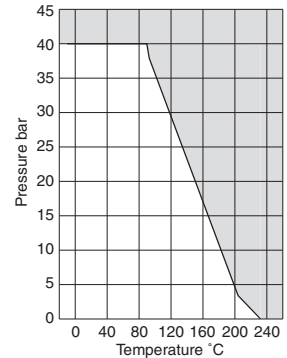
Shell: 60 bar
Seat: 44 bar

SPECIFICATION

Designed to BS EN 593:2009.
Face to face dimensions to BS EN 558-1 basic series 16.
Reinforced PTFE disc seal.
Stainless steel body seat.
Double eccentric disc.
Bi-directional isolation.
Valves are supplied gear operated
Actuator flange ISO 5211/1.
To suit flange connections BS EN 1092-2 PN40, alternative flanges available.

DIMENSIONS & WEIGHTS

Nom Size	mm	200	250	300	350	400	450	500
A	mm	89	114	114	127	140	152	152
B	mm	294	333	382	398	448	473	555
H	mm	369	396	461	477	557	583	643
C	mm	42	50	50	50	66	66	66
D dia	mm	300	457	457	457	610	610	610
E	mm	67	90	123	154	138	138	138
F	mm	223	279	331	356	477	477	477
Weight	kg	67	123	150	260	366	413	474



Every effort has been made to ensure that the information contained in this publication is accurate at the time of publishing. Hattersley Ltd assumes no responsibility or liability for typographical errors or omissions or for any misinterpretation of the information within the publication and reserves the right to change without notice.

0813