

Fig. 425
Pressure Reducing Valve

FEATURES & BENEFITS

- PRVs enable control of pressure from boosted hot and cold water supplies to match site requirements
- Includes male union tail-pieces for ease of installation, reducing time spent on site
- Features an integral strainer preventing debris from affecting valve performance
- Recommend that isolation valves are fitted upstream and downstream of the valve to enable isolation for cleaning of strainer
- Performance in accordance with BS EN 1567 for quality assurance
- Easy access for measuring the outlet pressure
- A pressure gauge is available to measure outlet pressure for each installed valve and should be ordered separately
- WRAS Approved to 80°C for drinking water applications



MATERIAL SPECIFICATION

Component	Material	Specification
Body	DZR Brass	EN 12165: CW625N
Plug (Bottom Cap)	DZR Brass	EN 12165: CW625N
Bonnet (Upper Cap)	Polyamide	PA6 GF30
Cartridge	Acetal	POM
Filter Screen	Stainless Steel	Aisi 304
Spring	Spring Steel	En 10270-1
Nuts	Brass	EN12165: CW617N
Dismantling Fittings	DZR Brass	EN 12164: CW626N
Other Internal Parts (in contact with water)	DZR Brass	EN 12164: CW626N
Other Components (not in contact with water)	Brass	EN 12164: CW614N
Diaphragm	EPDM	-
Seat Gaskets	EPDM	-
O-Rings	EPDM	-
Gaskets	Pressed Fibre	(Asbestos Free)

PRESSURE RATING

PN25

MAXIMUM TEMPERATURE

80°C

SPECIFICATION

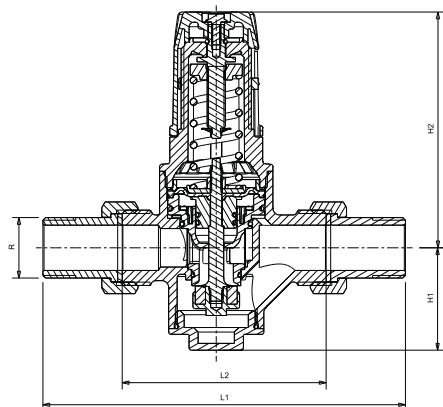
Medium: Water Only
 Connections: Male union tapered tail-pieces to BS EN 10226-1
 Outlet pressure range: 1-6 bar
 Pre set outlet pressure: 3 bar
 Design standard: BS EN 1567
 Approvals: WRAS / PED 2014/68/EU
 Mesh size: 0.5mm all sizes



PRESSURE GAUGE

Pressure gauge used to measure outlet pressure; available as 1/4" male threaded back connection

DIMENSIONAL DRAWING



DIMENSIONS & WEIGHTS

Nom Size	in	1/2	3/4	1	1 1/4	1 1/2	2
L1	mm	140	160	180	200	225	255
L2	mm	80	90	100	105	130	140
H1	mm	45	45	49.5	58.5	72.5	82
H2	mm	104	104	131	130	166.5	163.5
Thread R	in	1/2"	3/4"	1"	1 1/4"	1 1/2"	2"
Weight	kg	0.8	0.9	1.5	1.7	3.5	4.2

MAX FLOW

Size	1/2"	3/4"	1"	1 1/4"	1 1/2"	2"
Max. Capacity (l/sec)	0.35	0.63	1.00	1.60	2.53	3.89

Every effort has been made to ensure that the information contained in this publication is accurate at the time of publishing. Hattersley Ltd assumes no responsibility or liability for typographical errors or omissions or for any misinterpretation of the information within the publication and reserves the right to change without notice.

2809318