

## Fig. 100TH & 100LS Threaded DZR - T-Handle or Lockshield

### FEATURES & BENEFITS

- Dezincification resistant
- Light, compact and easy to install and operate
- Improved leak protection
- More resistant to damage during installation
- Sizes from 1/4" to 2"
- WRAS Approved



Fig. 100TH

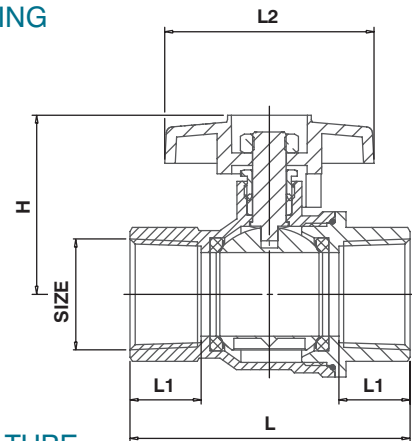


Fig. 100LS

### MATERIAL SPECIFICATION

Component	Material
Hex-Nut	Steel Plated
T-Handle	Aluminium AL-46100 Green
Packing Nut	Brass CW617N
Packing Gland	PTFE WRAS Approved
Body	DZR Brass CW602N
Seats	PTFE WRAS Approved
Ball	DZR Brass CW602N Chrome Plated
O-Ring	Rubber EPDM WRAS Approved
Bonnet	DZR Brass CW602N
Stem	DZR Brass CW602N
Lockshield	Brass CW617N
Lockshield Cover	Polypropylene Green

### DIMENSIONAL DRAWING



### PRESSURE/TEMPERATURE RATINGS THREADED

Temperature °C	-10 to 100	120
Pressure bar	25	21.8

Intermediate pressure ratings shall be determined by interpolation.

### SPECIFICATION

UK End Connection: BS EN 10226-2:2005  
formerly BS21 Taper.

US End Connection: ANSI B1.20.1:1983.

Operator: T-Handle/Spanner/Socket.

Quarter turn.

PTFE seats and stem seal.

WRAS listed.

Suitable for LTHW, Chilled and Wholesome (Potable) water services.

### DIMENSIONS & WEIGHTS

Nom Size	Fig.	in	1/2	3/4	1	1 1/4	1 1/2	2
L		mm	59	67	80.5	94	102	124
L1		mm	15.5	17	21	23	23	26.5
L2	100TH	mm	50	50	55	82	82	110
H	100TH	mm	40	43	54	61	67	80.5
H	100LS	mm	42	45	58	67	73.5	86.5
Weight	100TH	g	183	277	470	809	1210	2106
Weight	100LS	g	207	302	506	867	1269	2166

Every effort has been made to ensure that the information contained in this publication is accurate at the time of publishing. Hattersley Ltd assumes no responsibility or liability for typographical errors or omissions or for any misinterpretation of the information within the publication and reserves the right to change without notice.