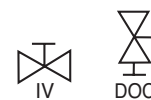


Fig. 100HU
Male Hose Union



FEATURES & BENEFITS

- High quality range
- Long and trouble-free service life
- Full bore



MATERIAL SPECIFICATION

Component	Material
Shield Cover	Green PP (RAL6002)
Hex-Nut	Q235 Dacromet Plated
Lockshield	CW617N
Packing Nut	CW617N
Packing Gland	PTFE(701-N)
Body	CW602N
Ball	CW602N
PTFE	PTFE(701-N)
O-Ring	EPDM
Bonnet	CW602N
Washer	PTFE(701-N)
Tailpiece	CW602N
Union Ring	CW602N
Stem	CW602N

**PRESSURE/
TEMPERATURE RATING**

-10°C to 100°C

TEST PRESSURES

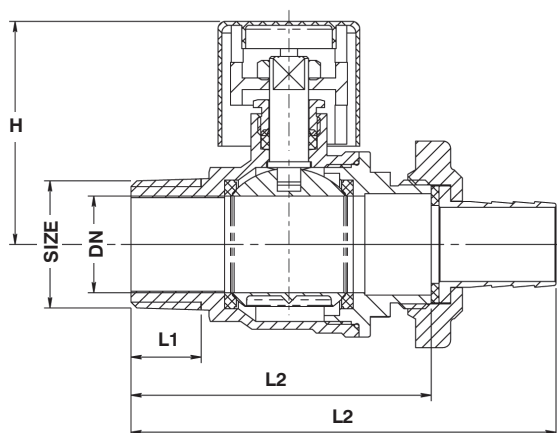
25 bar

SPECIFICATION

Quarter turn.

PTFE seats and stem seal.

DIMENSIONAL DRAWING



DIMENSIONS & WEIGHTS

Nom Size	in	G 1/2	G 3/4	G 1
DN	mm	15	20	25
L	mm	84	98	109
L1	mm	14	15.5	18
L2	mm	58	66	77
H	mm	41.8	45.3	57.7

Every effort has been made to ensure that the information contained in this publication is accurate at the time of publishing. Hattersley Ltd assumes no responsibility or liability for typographical errors or omissions or for any misinterpretation of the information within the publication and reserves the right to change without notice.

131119