

**Fig. 108C**  
**Service Ball Valve**



**FEATURES & BENEFITS**

- Light, compact and easy to install and operate
- WRAS Approved for use on wholesome (potable) water
- Compression ends to BS EN 1254-2 for use with BS EN 1057 R250 (half-hard) copper tube
- Part of Hattersley's extensive public health range
- Chrome plated finish
- Handle can be removed to allow for screwdriver operation

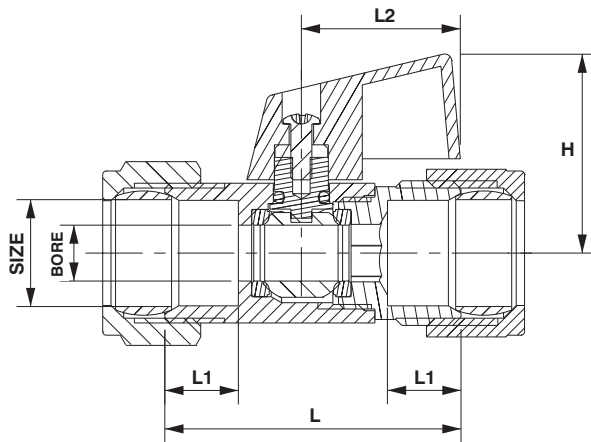


**MATERIAL SPECIFICATION**

Component	Material
Screw	Steel Dacromet Plated
Handle	Nylon (Ral 9017)
Stem	DZR Brass Chromium Plated
O-Ring	EPDM WRAS Approved
Nut	DZR Brass CW602N Chromium Plated
Olive	Brass CW507L
Body	DZR Brass CW602N Chromium Plated
PTFE Seat	PTFE WRAS Approved
Ball	DZR Brass CW602N Chromium Plated
Seat Retainer	DZR Brass CW602N Chromium Plated

Temperature °C	-10 to 30	65	110	120
Pressure bar	16	10	6	5

**DIMENSIONAL DRAWING**



**DIMENSIONS & WEIGHTS**

Size mm	Bore mm	L mm	L1 mm	L2 mm	H mm	Weight g
DN15	Ø8	42	11	23	29	123
DN22	Ø14	53	13	23	34	260

**PRESSURE/TEMPERATURE RATING**

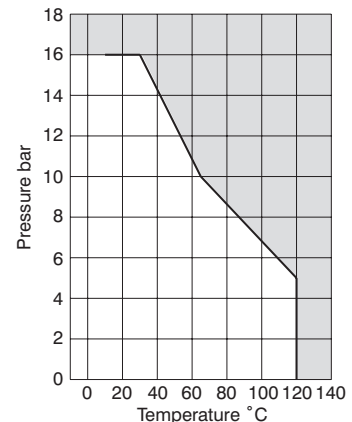
16 bar from -10 to 30°C  
5 bar at 120°C

**OPERATOR**

Handle (The handle can be removed to allow for screwdriver operation).

**SPECIFICATION**

Compression ends to BS EN 1254-2 for use with BS EN 1057 R250 (half-hard) copper tube.  
WRAS Approved product.



Every effort has been made to ensure that the information contained in this publication is accurate at the time of publishing. Hattersley Ltd assumes no responsibility or liability for typographical errors or omissions or for any misinterpretation of the information within the publication and reserves the right to change without notice.