

Fig. 113
Threaded Bronze - Lever Operated



FEATURES & BENEFITS

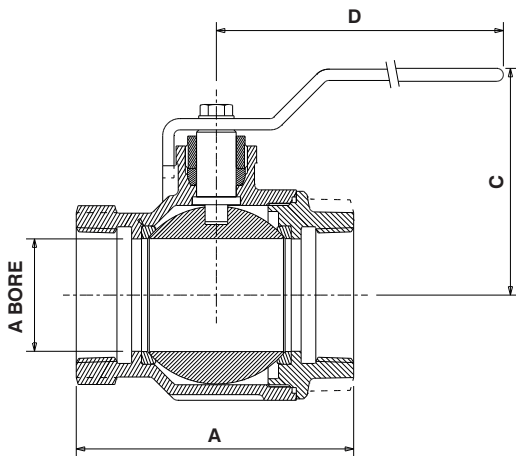
- 40 bar rating to suit demanding system pressures.
- Robust design for a long and trouble free service life
- Light and compact for easy installation
- 90° lever operation for simple use
- Full bore design to facilitate optimal flow rates with minimum turbulence



MATERIAL SPECIFICATION

Component	Material	Specification
Lever	Mild Steel	Zinc Plated
Lever Cover	P.V.C	-
Stem	DZR Brass	BS EN 12164 CW602N
Packing	PTFE	-
Ball	DZR Brass (Chrome Plated)	BS EN 12164 CW602N
Seat	PTFE	-
Seat Retainer	Bronze	BS EN 1982 CC491K
Body	Bronze	BS EN 1982 CC491K

DIMENSIONAL DRAWING



**PRESSURE/
TEMPERATURE RATING**

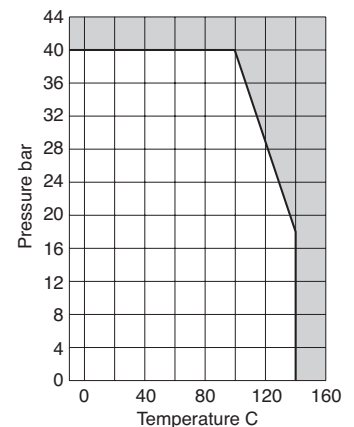
40 bar from -10 to 100°C
18 bar at 140°C

SPECIFICATION

Operator: Lever
Quarter turn
Anti blow out stem
Full bore chrome plated ball.
PTFE seats and stem seals.
UK End Connection: BS EN 10226-2
Taper Thread
US End Connection: ANSI B1.20.1
Taper Thread

DIMENSIONS & WEIGHTS

Nom Size	in	1/2	3/4	1	1 1/4	1 1/2	2
A	mm	57	67	77	91	103	122
B	mm	15	20	25	32	40	50
C	mm	54	58	66	72	82	90
D	mm	92	92	127	127	142	142
Weight	kg	0.22	0.45	0.69	1.12	1.67	2.93
Kv Values		31	45	63	102	375	420



131119

Every effort has been made to ensure that the information contained in this publication is accurate at the time of publishing. Hattersley Ltd assumes no responsibility or liability for typographical errors or omissions or for any misinterpretation of the information within the publication and reserves the right to change without notice.