

## Fig.116 & Fig.116EXT Threaded Ended Bronze - Lever Operated

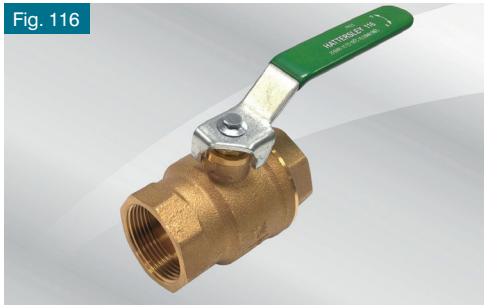
### FEATURES & BENEFITS

- Robust design for a long and trouble free service life
- Light and compact for easy installation
- 90° lever operation for simple use
- Full bore design to facilitate optimal flow rates with minimum turbulence

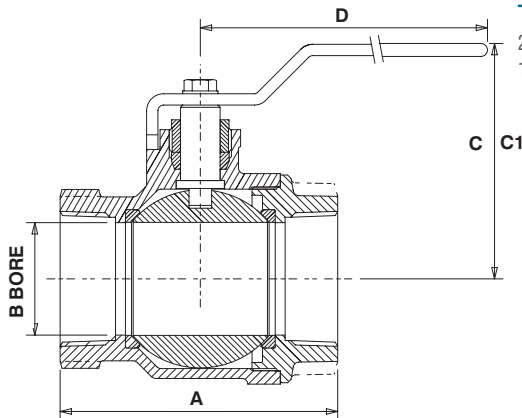
### MATERIAL SPECIFICATION

Component	Material	Specification
Body	Bronze	BS EN 1982 CC491K
Seat Retainer	Bronze	BS EN 1982 CC491K
Ball	DZR Brass (Chrome Plated)	BS EN 12165 CW602N
Seat Ring	PTFE	-
Stem	DZR Brass	BS EN 12164 CW602N
Packing	PTFE	-
Gland Nut	DZR Brass	BS EN 12164 CW602N
Lever	Mild Steel (Zinc Plated)	-
Lever Cover	PVC	-
Screw	Mild Steel (Zinc Plated)	-
Extension Housing	Aluminium	-
Extension	Stem Brass	BS EN 12164 CW602N

Fig. 116



### DIMENSIONAL DRAWING



### PRESSURE/ TEMPERATURE RATING

25 bar from -10 to 100°C  
10.5 bar at 186°C

### SPECIFICATION

Anti blow out stem  
**Operator:** Lever  
Quarter turn  
Full bore, chrome plated ball  
Tight shut-off  
PTFE seats and stem seals  
**UK END CONNECTION:**  
BS EN 10226-2 Taper Thread  
**US END CONNECTION:**  
ANSI B1.20.1 Taper Thread

### DIMENSIONS & WEIGHTS

Nom Size	in	1/2	3/4	1	1 1/4	1 1/2	2
A	mm	57	67	77	91	103	122
B	mm	15	20	25	32	40	50
C	mm	54	58	66	72	82	90
C1 (Fig. 116EXT)	mm	104	108	128	134	151	159
D	mm	92	92	127	127	142	142
Kv		31	45	63	102	375	420
Fig.116 Weight	kg	0.24	0.40	0.60	0.86	1.37	2.23
Fig.116EXT Weight	kg	0.30	0.47	0.69	1.00	1.55	2.30

Every effort has been made to ensure that the information contained in this publication is accurate at the time of publishing. Hattersley Ltd assumes no responsibility or liability for typographical errors or omissions or for any misinterpretation of the information within the publication and reserves the right to change without notice.