

Fig.116C & Fig.116CEXT Compression Ended Bronze - Lever Operated

FEATURES & BENEFITS

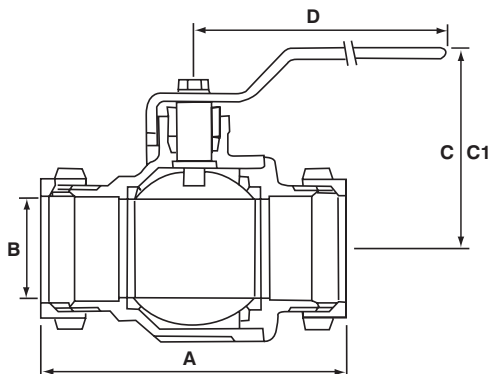
- Robust design for a long and trouble free service life
- Light and compact for easy installation
- 90° lever operation for simple use
- Full bore design to facilitate optimal flow rates with minimum turbulence
- Features improved leak resistance and reduced risk of damage from over tightening.



MATERIAL SPECIFICATION

Component	Material	Specification
Body	Bronze	BS EN 1982 CC491K
Seat Retainer	Bronze	BS EN 1982 CC491K
Ball	DZR Brass (Chrome Plated)	BS EN 12165 CW602N
Seat Ring	PTFE	-
Stem	DZR Brass	BS EN 12164 CW602N
Packing	PTFE	-
Gland Nut	DZR Brass	BS EN 12164 CW602N
Lever	Mild Steel (Zinc Plated)	-
Lever Cover	PVC	-
Screw	Mild Steel (Zinc Plated)	-
Extension Housing	Aluminium	-
Extension	Stem Brass	BS EN 12164 CW602N
Compression Olive	Brass	BS EN 12449 CW505L/507L
Compression Nut	BZR Brass	BS EN 12165 CW602N

DIMENSIONAL DRAWING



All dimensions are nominal.

PRESSURE/ TEMPERATURE RATING

16 bar from -10 to 30°C
5 bar at 120°C

SPECIFICATION

Compression Ended
Anti blow out stem
Operator: Lever
Quarter turn
Full bore, chrome plated ball
Tight shut-off
PTFE seats and stem seals
Compression end to suit BS EN 1057:
Half Hard R250 copper tube

DIMENSIONS & WEIGHTS

Nom Size	mm	15	22	28	35	42	54
A	mm	80	84	95	111	124	149
B	mm	15	20	25	32	40	50
C	mm	54	58	66	72	82	90
C1 (Fig. 116CEXT)	mm	104	108	128	134	151	159
D	mm	92	92	127	127	142	142
Kv		31	45	63	102	375	420
Fig.116C Weight	kg	0.32	0.48	0.70	1.00	1.50	2.50
Fig.116CEXT Weight	kg	0.40	0.55	0.78	1.10	1.60	2.60

Every effort has been made to ensure that the information contained in this publication is accurate at the time of publishing. Hattersley Ltd assumes no responsibility or liability for typographical errors or omissions or for any misinterpretation of the information within the publication and reserves the right to change without notice.