

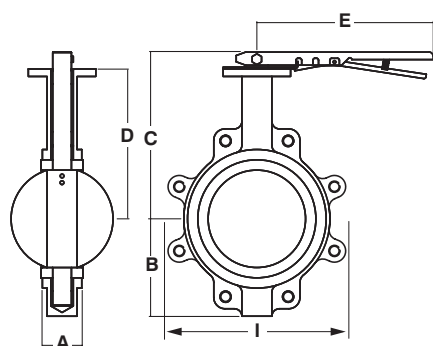
Fig. 980 ANSI
Ductile Iron Fully Lugged Butterfly Valve Class 150



MATERIAL SPECIFICATION

| Component | Material | Specification | |
|-----------------|-----------------|--------------------------|-----------------|
| | | BS EN | ASTM |
| Body | Ductile Iron | BS EN 1563 EN-GJS-450-10 | A536 65-45-12 |
| Operating Shaft | Stainless Steel | BS EN 10088-1 1.4005 | A582 UNS S41600 |
| Disc | Al Bronze | BS EN 1982 CC331G | B148 UNS C95400 |
| Taper pins | Stainless Steel | BS EN 10088-1 1.4401 | A276 UNS S31600 |
| Bushing | PTFE | - | - |
| O-Ring | Buna -N | - | - |
| Liner | EPDM | - | - |
| Lever | Carbon Steel | - | - |
| Handwheel | Cast Iron | - | - |

DIMENSIONAL DRAWINGS

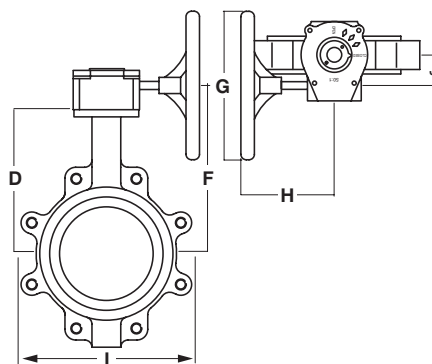


PRESSURE/TEMPERATURE RATING

19.65 bar from -10 to 37.8°C
16.93 bar at 120°C

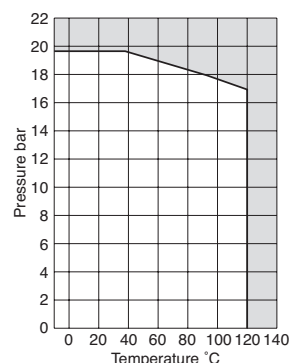
TEST PRESSURES

Shell: 29.5 bar
Seat: 21.6 bar



SPECIFICATION

Generally conforms to BS EN 593.
Ductile Iron body epoxy coated.
Fully lugged.
Aluminium bronze disc.
EPDM liner phenolic backed.
Trigger Lever.
Valves DN200 and larger supplied as standard with fully enclosed gear operator.
Suitable for fitting between flanges to ANSI B16.1 Class 125 and 150.
Valves may be used for flow regulation.



DIMENSIONS & WEIGHTS

| Nom Size | inch | 2 | 2 1/2 | 3 | 4 | 5 | 6 | 8 | 10 | 12 | 14 | 16 | 18 | 20 | 24 |
|----------|------|--------|--------|--------|--------|--------|--------|--------|--------|--------|--------|--------|--------|--------|--------|
| A | mm | 44.45 | 47.63 | 47.63 | 53.98 | 57.15 | 57.15 | 63.5 | 69.85 | 79.38 | 79.25 | 79.25 | 119.89 | 151.89 | 151.89 |
| B | mm | 83 | 95 | 102 | 124 | 136 | 150 | 197 | 210 | 248 | 279 | 305 | 381 | 381 | 457 |
| C | mm | 193.42 | 206.12 | 212.47 | 231.52 | 244.22 | 256.92 | 294.39 | 326.14 | 370.59 | - | - | - | - | - |
| D | mm | 161.93 | 174.63 | 180.98 | 200.03 | 212.73 | 225.43 | 260.35 | 292.1 | 336.55 | 368.3 | 400.05 | 422.28 | 479.43 | 561.98 |
| E | mm | 259.59 | 259.59 | 259.59 | 259.59 | 259.59 | 259.59 | 348.23 | 348.23 | 348.23 | - | - | - | - | - |
| F | mm | 150 | 150 | 150 | 150 | 300 | 300 | 300 | 300 | 300 | 300 | 450 | 450 | 450 | 450 |
| G | mm | 152.4 | 152.4 | 152.4 | 152.4 | 203.2 | 203.2 | 304.8 | 304.8 | 304.8 | 304.8 | 457.2 | 457.2 | 457.2 | 457.2 |
| H | mm | 159.51 | 159.51 | 159.51 | 159.51 | 150.37 | 150.37 | 241.81 | 241.81 | 227.08 | 225.81 | 232.16 | 277.11 | 321.06 | 384.05 |
| I | mm | 154.78 | 179.39 | 190.09 | 219.87 | 254 | 285.75 | 339.73 | 406.4 | 477.84 | 517.53 | 565.15 | 629.92 | 685.80 | 809.98 |
| Weight | kg | 15.5 | 16 | 18.7 | 24.1 | 25 | 26.4 | 36.7 | 47.1 | 62.1 | 84.9 | 123.8 | 139.7 | 215.5 | 337.3 |

Every effort has been made to ensure that the information contained in this publication is accurate at the time of publishing. Hattersley Ltd assumes no responsibility or liability for typographical errors or omissions or for any misinterpretation of the information within the publication and reserves the right to change without notice.