

Fig. 2870MG / 2871MG / 3870MG / 3871MG / 4870MG / 4871MG Fully Lugged Gearbox Operated Butterfly Valves

FEATURES & BENEFITS

- Valves are suitable for use with flanges conforming to BS EN 1092-2 PN16
- Valve to BS EN593
- Ductile Iron, Stainless Steel, and Aluminium Bronze Disc Options
- EPDM and Nitrile Seat Liner Options
- 420 Stainless Steel Shafts for superior strength

VALVE SELECTION

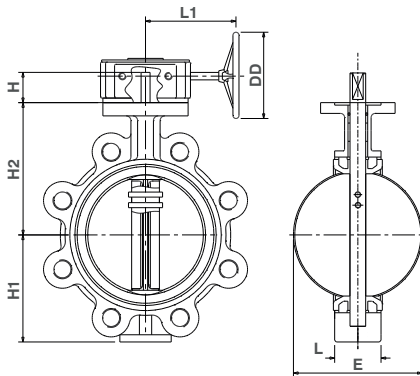
	EPDM Liner	Nitrile Liner
Aluminium Bronze Disc	2870MG	2871MG
Ductile Iron Disc	3870MG	3871MG
Stainless Steel Disc	4870MG	4871MG

MATERIAL SPECIFICATION

Part	Material
Body	Ductile Iron (EN-G35-400-15)
Disc (2870MG & 2871MG) (DN50-600)	Aluminium Bronze (ASTM B148 C95400)
Disc (3870MG & 3871MG) (DN150-600)	Ductile Iron (EN-G35-400-15) Epoxy coated
Disc (4870MG & 4871MG) (DN150-600)	Stainless Steel 304 (ASTM A351 CF8)
Liner (2870MG, 3870MG, & 4870MG)	EPDM
Liner (2871MG, 3871MG, & 4871MG)	Nitrile Rubber
Shaft	Stainless Steel 420 (ASTM A276 420)
Taper Pin	Stainless Steel 431 (ASTM A276 431)
O-Ring	Nitrile Rubber
Bushing	PTFE



DIMENSIONAL DRAWINGS



PRESSURE/TEMPERATURE RATING

PN16
-10 to 120°C (2870MG / 3870MG / 4870MG)
-10 to 82°C (2871MG / 3871MG / 4871MG)

TEST PRESSURES: (Hydrostatic)
SHELL: 24bar; Seat: 17.6 bar

SPECIFICATION

End connections compatible with BS EN1092-2 PN16 flanges.

END CONNECTION: Fully Lugged

OPERATOR: Gearbox

OTHER: Bare shaft options available (Fig No. 2870MB / 2871MB / 3870MB / 3871MB / 4870MB / 4871MB)

Please contact us for bare shaft top works details

DIMENSIONS & WEIGHTS

Size	mm	50	65	80	100	125	150	200	250	300	350	400	450	500	600
H2	mm	141	153	161	179	193	204	247	280	324	310	340	375	425	505
H1	mm	61	72	87	106	123	137	174	209	253	260	317.5	330	367	443
L	mm	43	46	46	52	56	56	60	68	78	78	102	114	127	154
H	mm	32	32	32	32	32	32	45	45	45	48	64	64	64	82
L1	mm	157	157	157	157	157	157	236	236	237	237	246	246	254	301
ØE	mm	52.9	64.7	79.1	104.4	123.3	155.6	202.5	250.5	301.6	333.6	389.5	440.5	489.7	592.7
DD	mm	145	145	145	145	145	145	300	300	300	300	300	380	285	400
Bareshaft Wgt	kg	3.0	3.4	4.7	6.6	9.1	10.0	17.4	25.0	34.0	52.0	81.0	106.0	140.0	220.0
Gearbox Wgt	kg	7.9	8.3	9.6	11.5	14.0	14.9	26.2	34.0	46.0	63.0	106.0	131.0	170.0	270.0
Kv		133	227	349	694	1181	1825	2503	3876	6736	8135	12041	14121	18449	24125

Every effort has been made to ensure that the information contained in this publication is accurate at the time of publishing. Hattersley Ltd assumes no responsibility or liability for typographical errors or omissions or for any misinterpretation of the information within the publication and reserves the right to change without notice.