

Fig. M651 / 651E / 651ANSI Cast Iron - Swing Pattern



FEATURES & BENEFITS

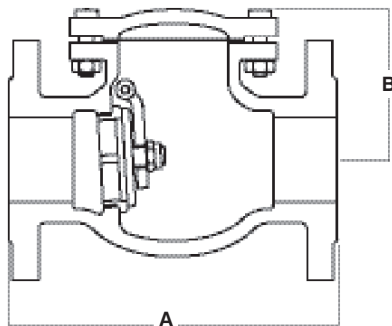
- Suitable for velocities of up to 3 metres/second
- Ideal for water or other liquids
- Bolted cover
- Suitable for mounting in horizontal and vertical pipelines



MATERIAL SPECIFICATION

Component	Material	Specification	
		BS EN	ASTM
Cover	Cast Iron	1561 EN JLI040	A126 CI B
Cover Gasket	Reinforced Compressed Graphite	-	
Hinge Pin	Brass	12164 CW603N	B16-C36000
Hinge Pin Plug	Brass	12164 CW603N	B16-C36000
Hinge	Ductile Iron	1563 EN-JS1040	A536 70-50-05
Disc	Cast Iron	1561 EN JLI040	A126 CI B
Disc Face Ring	Bronze	1982 CC491K	B62-C83600
Body Seat Ring	Bronze	1982 CC491K	B62-C83600
Body	Cast Iron	BS EN 1561 EN-JL 1040 (GJL-250)	A126 CI B

DIMENSIONAL DRAWING



DIMENSIONS & WEIGHTS

Nom Size	mm	50	65	80	100	125	150	200	250	300
A	mm	203	216	241	292	330	356	495	622	699
B	mm	113	133	143	163	197	212	257	298	330
Weight	kg	13	18	21	35	48	68	113	218	282

PRESSURE/TEMPERATURE RATING

BS EN 1092-2 PN16
16 bar from -10 to 120°C
11.8 bar at 230°C

TEST PRESSURES

Shell: 24 bar (hydraulic)
Seat: 17.6 bar (hydraulic)

SPECIFICATION

BS EN 12334:2001.
Face to Face dimensions to BS EN 558-1 basic series 10.
Cast iron body.
Bolted cover.
Bronze trim.
Suitable for mounting in horizontal and vertical pipes (with the flow upwards).
M651, flanged to BS EN 1092-2 PN16.
651E, flanges drilled to BS 10 available.
651ANSI, flanges drilled to ANSI B16.1 125.

