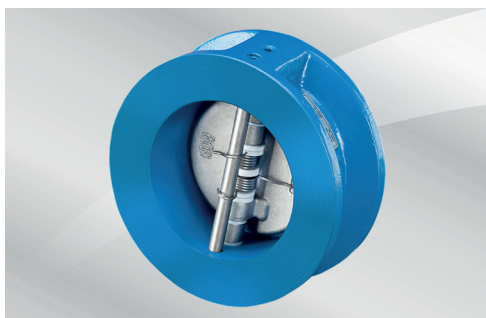


Fig. 861 (PN16) / 861A (ANSI 125) / 866 (PN25)



FEATURES & BENEFITS

- Check valves permit flow in one direction only and close automatically if flow reverses, depending upon pressure and velocity of flow to perform the functions of the opening and closing
- Non-Slam design as a result of rubber seat and spring-assisted closure
- EPDM rubber seat to facilitate quiet operation and improve disk seating
- Eyebolt tapped holes in sizes DN200 and above, to fit eyebolts to BS EN 150 3226: 2010 (eyebolts are not supplied with valve)
- Design and construction lends itself to pump duty applications.



MATERIAL SPECIFICATION

No.	Component	Material	Note
1	Body	Cast Iron EN-GJL-250	PN16 / ANSI125 DN50-DN150
		Ductile Iron EN-GJS-400-15	PN16 / ANSI125 DN200-DN600
		Ductile Iron EN-GJS-400-15	PN25 DN50-DN600
2	Disc	Stainless Steel SS304	-
3	ID Plate	Anodised Aluminium	-
4	Seat	EPDM	Max. 120°C
5	Stop Bolt	Stainless Steel 304	-
6	Stem	Stainless Steel 304	-
7	Spring	Stainless Steel 304	-
8	Washer	PTFE	-
9	Gasket	EPDM	Max. 120°C

**PRESSURE/
TEMPERATURE
RATING**

Figure 861: PN16
Figure 861A : ANSI 125
Figure 866 : PN25
Temperature range -10 to 120°C

END CONNECTION

Suitable for flange connection to
BS EN 1092-2 PN16 /
BS EN 1092-2 PN25 / ANSI B16.1 125

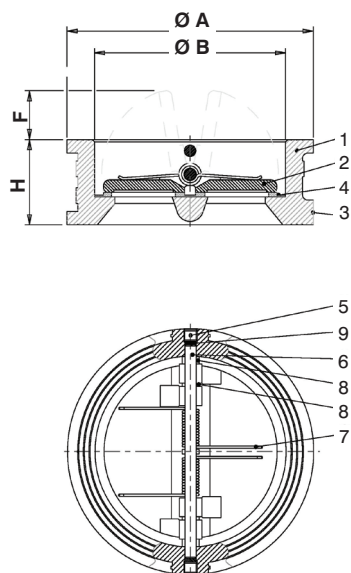
SPECIFICATION

Face-to-Face dimensions conform to
BS EN 558 series 16.

Suitable for installation in vertical and
horizontal pipelines.

When installed in vertical pipelines
the flow must be in an upward
direction. This valve is suitable for
use on group 2 liquids only, as
defined by the Pressure Equipment
Directive 2014/68/EU.

DIMENSIONAL DRAWING



DIMENSIONS & WEIGHTS

Size	A (mm)		B (mm)	F (mm)	H (mm)	Weight (kg)	Eyebolt Tapping	Kv Values
	PN16 PN25	ANSI 125						
DN50	107	102	66.0	10.0	43.0	1.5	N/A	44
DN65	127	121	80.5	16.0	46.0	2.2	N/A	102
DN80	142	133	95.0	15.0	64.0	3.2	N/A	128
DN100	162	171	119.0	28.0	64.0	4.1	N/A	203
DN125	192	193	146.0	38.0	70.0	5.7	N/A	528
DN150	218	219	171.0	47.0	76.0	8.2	N/A	688
DN200	273	276	224.5	70.0	89.0	14.6	M8	1315
DN250	328	336	266.0	78.0	114.0	24.2	M10	2315
DN300	382	406	311.0	104.0	114.0	35.8	M10	3623
DN350	442	448	360.0	127.0	127.0	54.0	M12	4620
DN400	495	511	410.0	143.0	140.0	76.0	M12	5166
DN450	555	546	450.0	158.0	152.0	103.0	M16	6164
DN500	617	603	505.0	183.0	152.0	126.0	M16	9670
DN600	734	714	624.0	221.0	178.0	187.0	M16	15340

Eyebolt tapping to BS EN 3226: 2010
Kv valves: fully open