

Fig. 370 & 371 Bronze

FEATURES & BENEFITS

- Enables system to be drained without removing pipework
- Prevents build-up of sediment
- Extends life expectancy of pipework
- Bronze draining taps are suitable for use on hot and cold water up to 16bar, at temperatures up to 120°C
- The inlet is a threaded taper male connection to BS EN 10226-2
- The outlet is ribbed for hose connection
- WRAS Approved up to 85°C



MATERIAL SPECIFICATION

No.	Name	Material
1	Body	Bronze BS EN 1982 CC491K
2	Stem	Brass BS EN 12164 CW614N
3	Bonnet	Brass BS EN 12164 CW614N
4	Disc Holder	Brass BS EN 12164 CW614N
5	Rubber Seat	EP80 (EPDM- WRAS APPROVED)
6	Stem Packing	EP70 (EPDM- WRAS APPROVED)
7	Gasket	EP70 (EPDM- WRAS APPROVED)

PRESSURE/ TEMPERATURE RATING

Suitable for pressures of 16 bar up to a maximum temperature of 120°C.

DIMENSIONS & WEIGHTS

Nom Size	in	1/2	3/4	1
A (370)	mm	44.4	53.4	74.8
A (371)	mm	54.4	64.5	90.5
B	mm	7.4	7.5	12.7
C	mm	7.7	8.5	12.5
D	mm	9.8	11.5	15.2
E	mm	60.3	71	100.5
F	mm	54.4	64.0	90.0
Weight	kg	0.13	0.26	0.59

DIMENSIONAL DRAWING

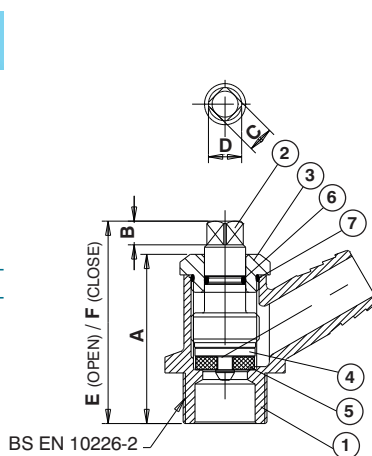


Fig. 370

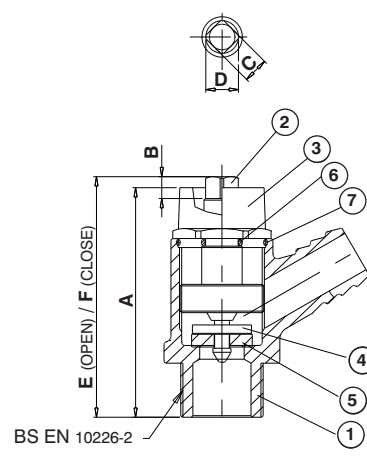


Fig. 371