

Fig. 81HU
Bronze Hose Union

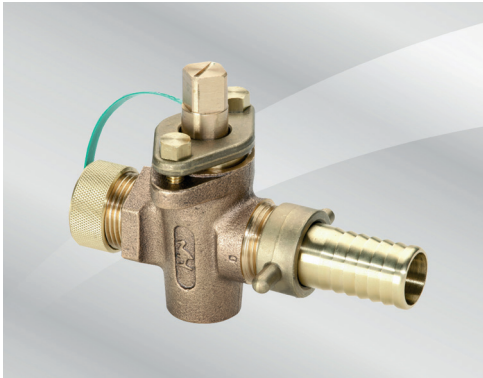


FEATURES & BENEFITS

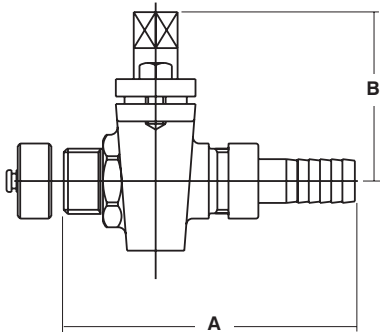
- Enables system to be drained without removing pipework
- Prevents build-up of sediment
- Extends life expectancy of pipework

MATERIAL SPECIFICATION

Component	Material	Specification	
		BS EN	ASTM
Gland (1/2" to 1")	Brass	12165 CW617N	B124 Alloy 2
Gland (1 1/4" to 2")	Bronze	1982 CC491K	B62
Gland Packing	Asbestos Free	-	
Plug	Bronze	1982 CC491K	B62
Cap and Tail	Brass	12164 CW614N	B455-385
Body	Bronze	1982 CC491K	B62



DIMENSIONAL DRAWING



DIMENSIONS & WEIGHTS

Nom Size	in	3/8	1/2	3/4	1	1 1/4	1 1/2	2
A	mm	102	93	117	145	184	203	240
B	mm	54	54	64	79	90	100	170
MI Lever No.		Y2	D2	D3 1/2	D4 1/2	Y6	Y7	X
Weight	kg	0.35	0.38	0.67	1.2	1.5	2.5	4.14

MALLEABLE IRON LEVERS

MI Lever No.	Y1	Y2	D2	D3 1/2	D4 1/2	Y6	Y7
Square size	mm	8.7	9.5	10.3	13.5	15.9	19.1

PRESSURE/TEMPERATURE RATING

10 bar 0 to 120°C

TEST PRESSURES (HYDRAULIC)

Body: 20 bar

SPECIFICATION

90° operation.

Sizes 1/2" to 1" supplied complete with cap and strap.

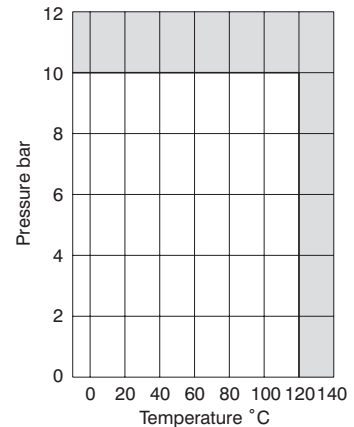
Plugs have square heads with a slot to indicate plug position.

Malleable iron levers available on request.

Malleable iron lever can be pinned to the plug head at extra charge.

Taper threaded BS EN 10226 (ISO 7-1) formerly BS 21.

Figure 81HU Gland Cocks are not suitable for gas service.



Every effort has been made to ensure that the information contained in this publication is accurate at the time of publishing. Hattersley Ltd assumes no responsibility or liability for typographical errors or omissions or for any misinterpretation of the information within the publication and reserves the right to change without notice.