

Fig. 1432.PF Bronze Double Regulating Valve



FEATURES & BENEFITS

- Double regulating valve complete with Press-Fit connectors
- Provides precise and accurate flow regulation
- Standard flow coefficients of Fig.1432 and Fig.1432L are still valid
- Supplied as one integral unit means less joints to make on-site
- The performance, exact dimensions and tolerances are known in advance
- Incorporates both Hattersley and proven Geberit Mappress technology
- Vibration tested to DVGW and bend tested to BS EN331
- Quickly and easily installed using a Press-Fit tool (supplied by others)



Fig. 1432.PF

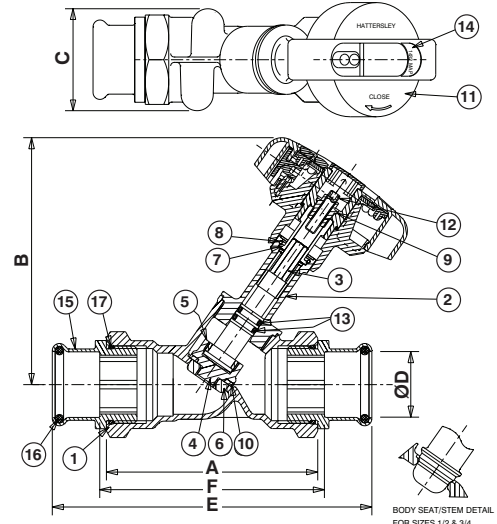


Fig. 1432.PF Pressed

MATERIAL SPECIFICATION

No.	Component	Material	Specification
1	Body	Bronze	BS EN 1982 CC491K
2	Bonnet - 1/2" - 1 1/4"	DZR Brass	BS EN 12165 CW602N
	Bonnet - 1 1/2" - 2"	Bronze	BS EN 1982 CC491K
3	Stem	DZR Brass	BS EN 12165 CW602N
4	Disc	DZR Brass	BS EN 12165 CW602N
5	Disc Retaining Ring (Sizes 1-2" only)	DZR Brass	BS EN 12165 CW602N
6	Balancing Cone	DZR Brass	BS EN 12165 CW602N
7	Drive Sleeve	Brass	BS EN 12164 CW617N
8	Drive Sleeve Retaining Clip	Carbon Spring Steel	DIN7993 SIZE 018
9	Handwheel Retaining Screw	Brass	BS EN 12164 CW617N
10	Disc Face (Sizes 1-2" only)	PTFE	-
11	Hattersley Handwheel	Plastic	-
12	Memory Stop Screw	HT Steel	-
13	O-Ring Seal	EPDM Rubber	WRAS Approved
14	Identification Plate	Polycarbonate	-
15	Press-Fit Connector	Bronze	BS EN 1982 CC499K
16	Connector O-Ring	CIIR Butyl Rubber	-
17	Joint O-Ring	EPDM Rubber	WRAS Approved

DIMENSIONAL DRAWINGS



DIMENSIONS & WEIGHTS

Fig. No.	Size (mm)	Dimensions (mm)						Weight (Kg)
		A	B	C	ØD	E	F	
Fig.1432.PF	1/2 x 15	87	110	46	15	132	93	0.636
Fig.1432L.PF	1/2 x 18	87	110	46	15	132	93	0.640
Fig.1432.PF	3/4 x 22	96	111	51	22	147	106	0.718
	1 x 28	100	132	56	28	152	107	1.066
	1 1/4 x 35	114	133	57	35	172	121	1.354
	1 1/2 x 42	125	148	61	42	193	134	1.816
	2 x 54	146	149	75	54	227	158	2.412

TEMPERATURE RANGE

-10 to 120°C (max)
WRAS approval is for cold water only
-10 to 23°C

OPTIONS

Available in standard flow (Fig.1432.PF) and low flow (Fig.1432L.PF)

SPECIFICATION

Bronze (BS EN 1982 CC491K)
'Y' Pattern Globe Type Double Regulating Valve giving modified equal percentage performance with

characterised throttling disk and authority sufficient to regulate flow in circuits incorporating flow measurement devices.

Double regulating feature set by Allen Key and valve operation by Microset handwheel security seals.

Disc with PTFE insert on sizes 1" and above. Conforms to BS7350 for flow regulation.

Complete with Geberit Mappress bronze Press-Fit adaptors.

Rated PN16.

Every effort has been made to ensure that the information contained in this publication is accurate at the time of publishing. Hattersley Ltd assumes no responsibility or liability for typographical errors or omissions or for any misinterpretation of the information within the publication and reserves the right to change without notice.