

Fig. 100.PF DZR Ball Valve

FEATURES & BENEFITS

- Quarter-turn full-bore isolation valve complete with Press-Fit connectors
- Supplied as one integral unit means less joints to make on-site
- The performance, exact dimensions and tolerances are known in advance
- Incorporates both Hattersley and proven Geberit Mapress technology
- Vibration tested to DVGW and bend tested to BS EN 331
- Quickly and easily installed using a Press-Fit tool (supplied by others)
- The Fig. 100.PF Ball Valve is available with a variety of operator options - Extension Stem Lever (Fig.100EXT.PF) and T-handle (Fig.100TH.PF)

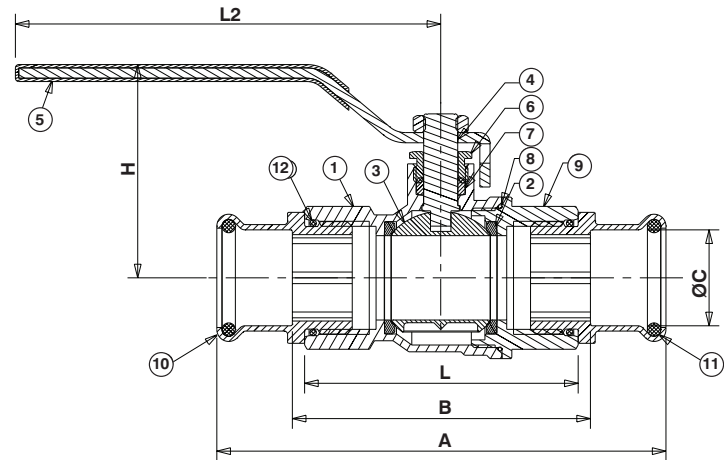
MATERIAL SPECIFICATION

No.	Component	Material	Specification
1	Body	DZR Brass	BS EN 12165 CW602N
2	Seat	PTFE	WRAS Approved
3	Ball - 1/2" - 1"	DZR Brass	BS EN 12165 CW602N
	Ball - 1 1/4" - 2"	Bronze	BS EN 1982 CC491K
4	Stem	Brass	BS EN 12164 CW602N
5	Handle	Steel	Dacromet Plated
6	Packing Nut	DZR Brass	BS EN 12165 CW617N
7	Packing Gland	PTFE	WRAS Approved
8	O-Ring	EPDM Rubber	WRAS Approved
9	Seat Retainer	DZR Brass	BS EN 12165 CW602N
10	Press-Fit Connector	Bronze	BS EN 1982 CC499K
11	Connector O-Ring	CIIR Butyl Rubber	WRAS Approved
12	Joint O-Ring	EPDM Rubber	WRAS Approved



Fig. 100.PF

DIMENSIONAL DRAWING



DIMENSIONS & WEIGHTS

Size (mm)	Dimensions (mm)						Weight (Kg)
	L	A	B	ØC	L2	H	
1/2 x 15	59	104	63	15	99	48	0.319
1/2 x 18	59	105	64	18	99	48	0.323
3/4 x 22	67	118	75	22	99	51	0.463
1 x 28	80	132	85	28	125	63	0.728
1 1/4 x 35	94	152	99	35	140	78	1.146
1 1/2 x 42	102	170	102	42	140	84	1.527
2 x 54	124	205	134	54	165	98	2.382

TEMPERATURE RANGE SPECIFICATION

-10 to 120°C

OPERATOR

Lever - Fig.100.PF,
Extension stem lever - Fig.100EXT.PF,
Lockshield - Fig.100LS.PF and
T-handle - Fig.100TH.PF

DZR Brass (CW 602N) bodied end-entry Ball Valve. Full bore. Quarter-turn, lever operated. DZR brass ball chrome plated. Virgin PTFE seats, blow-out proof stem. Complete with Geberit Mapress bronze Press-Fit adaptors. Rated PN16 (Maximum temperature 120°C). *Information shown is for Fig.100.PF. Options with other operators are available on request.