

## Fig. 47.PF Bronze Check Valve



### FEATURES & BENEFITS

- Check valve complete with Press-Fit connectors
- Permits flow in one direction and automatically closes if flow reverses
- Supplied as one integral unit means less joints to make on-site
- The performance, exact dimensions and tolerances are known in advance
- Incorporates both Hattersley and proven Geberit Mapress technology
- Vibration tested to DVGW and bend tested to BS EN 331
- Quickly and easily installed using a Press-Fit tool (supplied by others)



Fig. 47.PF

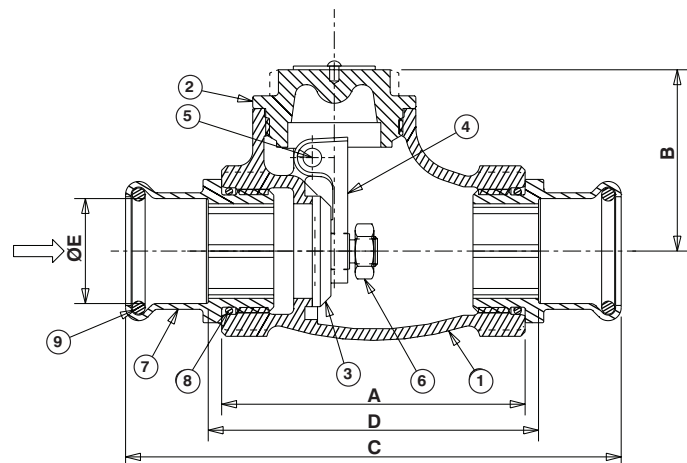


Fig. 47.PF Pressed

### MATERIAL SPECIFICATION

No.	Component	Material	Specification
1	Body	Bronze	BS EN 1982 CC491K
2	Cap	Bronze	BS EN 1982 CC491K
3	Disc - 1/2" - 1"	Brass	BS EN 12164 CW614N
	Disc - 1/4" - 2"	Bronze	BS EN 1982 CC491K
4	Hinge	Bronze	BS EN 1982 CC491K
5	Hinge Pin	Stainless Steel	BS 970 GR316S11
6	Hinge Nut	Brass	BS EN 12164 CW614N
7	Press-Fit Connector	Bronze	BS EN 1982 CC499K
8	Joint O-Ring	EPDM Rubber	WRAS Approved
9	Connector O-Ring	CIIR Butyl Rubber	WRAS Approved

### DIMENSIONAL DRAWING



### DIMENSIONS & WEIGHTS

Size (mm)	Dimensions (mm)					Weight (Kg)
	A	B	C	D	ØE	
1/2 x 15	59.5	33	104.1	65.1	15	0.42
1/2 x 18	59.5	38	105.5	66.5	18	0.42
3/4 x 22	68.0	42	119.0	78.0	22	0.57
1 x 28	81.5	49	133.1	88.1	28	0.70
1 1/4 x 35	93.2	56	151.6	100.6	35	1.31
1 1/2 x 42	98.3	65	166.5	107.5	42	1.73
2 x 54	110.6	76	191.6	122.6	54	2.65

### TEMPERATURE RANGE

-10 to 120°C

### SPECIFICATION

Bronze (BS 1982 CC491K) Check Valve, swing type to BS 5154 series 'B'.

Metal disk, free to rotate and hinge pin mounted.

Screwed-in cap. Integral seat.

Complete with Geberit Mapress bronze Press-Fit adaptors.

Rated PN16 (Maximum temperature 120°C).