

Fig. 811 & 911 Ductile Iron Y-Type



FEATURES & BENEFITS

- High strength ductile iron construction
- Streamlined flow contours minimise pressure drop
- Asbestos-free non-stick gasket
- Suitable for saturated steam service
- Comprehensive flow characteristics available

MATERIAL SPECIFICATION

Component	Material	Specification	
		BS EN	ASTM
Body	Ductile Iron	BS EN 1563	
Cover	Ductile Iron	BS EN 1563	
Screen	Stainless Steel	SS 304	AISI 304
Gasket	Teflon/Graphite	-	
Plug	Ductile Iron	BS EN 1563	



PRESSURE/ TEMPERATURE RATING

PN25
21.5 bar at 220°C
25 bar from -10 to 120°C
Note: 911 restricted to 180°C

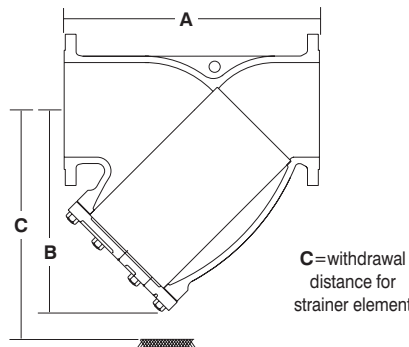
SPECIFICATION

Bolted cover.
Figure 911 supplied complete with two Figure 631 test points.
All other sizes flanged to BS EN 1092-2 PN25.

TEST PRESSURES (HYDRAULIC)

Shell: 37.5 bar

DIMENSIONAL DRAWING

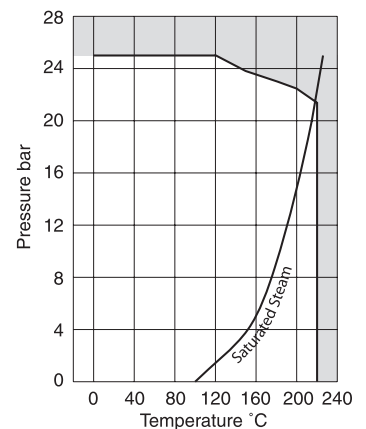


DIMENSIONS & WEIGHTS

Nom Size	mm	50	65	80	100	125	150	200	250	300
A	mm	230	273	295	352	416	470	573	660	770
B	mm	146	174	198	232	285	305	401	473	554
C	mm	178	216	248	300	373	450	621	703	834
Cover Plug	mm	1/2	1	1	1	1 1/4	1 1/2	1 1/2	2	2
Weight	kg	10.5	14.9	19.2	32.4	48	64.5	106	175	251
Flow	kv	59	93	136	229	363	499	817	1361	1928

SCREEN DATA

Nom Size	mm	50	65	80	100	125	150	200	250	300
Hole Dia	mm	1.6	1.6	1.6	1.6	1.6	1.6	1.6	1.6	1.6
Free Flow Area/cm ²	%	33	33	33	40	40	40	40	40	40



131119

Every effort has been made to ensure that the information contained in this publication is accurate at the time of publishing. Hattersley Ltd assumes no responsibility or liability for typographical errors or omissions or for any misinterpretation of the information within the publication and reserves the right to change without notice.