

Fig. 3047
Bronze - Swing Pattern



FEATURES & BENEFITS

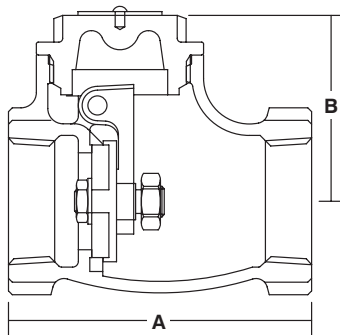
- Horizontal swing pattern
- Robust and high quality bronze body
- Various disc materials available
- Taper threaded to BS EN 10226 ISO 7-1 (BS 21)



MATERIAL SPECIFICATION

Component	Material	Specification BS EN
Body	Bronze	1982 CC491K
Cap	Bronze	1982 CC491K
Disc Holder (1/2" to 1")	Brass	12164 CW614N
Disc Holder (1 1/4" to 2")	Bronze	1982 CC491K
Disc	Nitrile	2751 BA80
Disc Retaining Nut	Brass	12164 CW614N
Disc Retaining Washer	Brass	12164 CW614N
Hinge	Bronze	1982 CC491K
Hinge Pin	Stainless Steel	970 GR316S11
Hinge Nut	Brass	12164 CW614N
Identification Plate	Aluminium	-
Drive Screw	Steel Electro Brassed	-

DIMENSIONAL DRAWING



DIMENSIONS & WEIGHTS

Nom Size	in	1/2	3/4	1	1 1/4	1 1/2	2
A	mm	58	66	80	89	95	108
B	mm	38	42	49	56	65	76
Weight	kg	0.33	0.43	0.63	1.01	1.34	2.12

PRESSURE/TEMPERATURE RATING

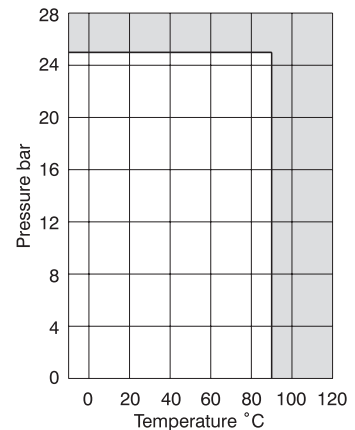
BS 5154:1991 PN25
25 bar from -10 to restricted 100°C

TEST PRESSURES

Shell: 6 bar - pneumatic
Seat: 27.5 bar - hydraulic

SPECIFICATION

Horizontal swing pattern.
Threaded cover.
Alternative disc materials available.
Ends threaded internal BS EN 10266 (ISO 7).
Suitable for mounting in horizontal and vertical pipe (with vertical flow upwards).
WRAS Approved Fig. 3047W is available in 3/4" - 2".
Medium: Group 1 Liquids, Group 2 Liquids



Every effort has been made to ensure that the information contained in this publication is accurate at the time of publishing. Hattersley Ltd assumes no responsibility or liability for typographical errors or omissions or for any misinterpretation of the information within the publication and reserves the right to change without notice.