

Fig. 2870ML / 2871ML / 3870ML / 3871ML / 4870ML / 4871ML Fully Lugged Lever Operated Butterfly Valves

FEATURES & BENEFITS

- Valves are suitable for use with flanges conforming to BS EN 1092-2 PN16
- Valve to BS EN593
- Ductile Iron, Stainless Steel, and Aluminium Bronze Disc Options
- EPDM and Nitrile Seat Liner Options
- 420 Stainless Steel Shafts for superior strength



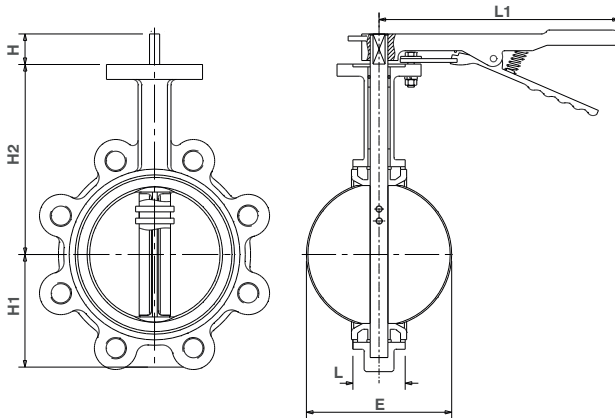
VALVE SELECTION

	EPDM Liner	Nitrile Liner
Aluminium Bronze Disc	2870ML	2871ML
Ductile Iron Disc	3870ML	3871ML
Stainless Steel Disc	4870ML	4871ML

MATERIAL SPECIFICATION

Part	Material
Body	Ductile Iron (EN-G35-400-15)
Disc (2870ML & 2871ML)	Aluminium Bronze (ASTM B148 C95400)
Disc (3870ML & 3871ML)	Ductile Iron (EN-G35-400-15) Epoxy coated
Disc (4870ML & 4871ML)	Stainless Steel 304 (ASTM A351 CF8)
Liner (2870ML, 3870ML & 4870ML)	EPDM
Liner (2871ML, 3871ML & 4871ML)	Nitrile rubber
Shaft	Stainless Steel 420 (ASTM A276 420)
Taper Pin	Stainless Steel 431 (ASTM A276 431)
O-Ring	Nitrile rubber
Bushing	PTFE
Lever & Screw	Malleable Iron ASTM Gr.32510
Stop Plate	Mild Steel (GB700 Q235) Chromium Plated

DIMENSIONAL DRAWINGS



DIMENSIONS & WEIGHTS

Size	mm	50	65	80	100	125	150	200
H2	mm	141	153	161	179	193	204	247
H1	mm	61	72	87	106	123	137	174
L	mm	43	46	46	52	56	56	60
H	mm	32	32	32	32	32	32	45
L1	mm	216	216	216	265	265	265	374
ØE	mm	52.9	64.7	79.1	104.4	123.3	155.6	202.5
LEVER Wgt	kg	3.5	3.9	5.2	7.3	9.8	10.7	18.3
Kv		133	227	349	694	1181	1825	2503

PRESSURE/ TEMPERATURE RATING

PN16
-10 to 120°C (2870ML / 3870ML / 4870ML)
-10 to 82°C (2871ML / 3871ML / 4871ML)

TEST PRESSURES: (Hydrostatic)
SHELL: 24bar; Seat: 17.6 bar

SPECIFICATION

End connections compatible with
BS EN1092-2 PN16 flanges.

END CONNECTION: Fully Lugged

OPERATOR: Trigger Lever

OTHER: Bare shaft options available
(Fig No. 2870MB / 2871MB /
3870MB / 3871MB /
4870MB / 4871MB)

Please contact us for bare shaft top works details

Every effort has been made to ensure that the information contained in this publication is accurate at the time of publishing. Hattersley Ltd assumes no responsibility or liability for typographical errors or omissions or for any misinterpretation of the information within the publication and reserves the right to change without notice.