



Fig. 325
Pressure Reducing Valve Direct Acting - Piston Design

FORM AND FUNCTION

Piston Actuated Pressure Reducing Valve (PRV)

PRVs enable control of outlet pressure from boosted water supplies to meet site requirements, as a result, protecting the downstream system and stabilising water pressure. Particularly suitable for higher temperature applications and higher flow applications.

FEATURES & BENEFITS

- Comprehensive size range available from 1/2" to 4"
- Kitemarked to BS EN 1567 (sizes 1/2 - 1")
- PN25 rated with outlet pressure of 1 to 5.5 bar (3 bar factory setting)
- Brass material suitable for hot and cold water systems
- 1/4" outlet pressure gauge connection both sides for flexibility and accurate setting
- ACS Approved for use with potable water



PRESSURE GAUGE

Pressure gauge used to measure outlet pressure; available as 1/4" male threaded back connection

MATERIAL SPECIFICATION

Component	Material	Specification
Body 1/2" - 2"	Brass	EN 12165 - CW617N nickel-plated
Body 2 1/2" - 4"	Brass	EN 1982 CC770S nickel-plated
Bonnet (upper cap)	Brass	EN 12165 - CW617N nickel-plated
Pressure setting screw	Brass	EN 12164 - CW614N
Spring	Spring steel	EN 10270-1 SH
Seat	Stainless steel	BS EN 10088-3 GR. 1.4305
O-rings	Rubber	EPDM Perox
Plug 1/2" - 2 1/2"	PP	-
Plug 3" - 4"	Brass	EN 12164 - CW614N nickel-plated
Bottom cap	Brass	EN 12165 - CW617N nickel-plated
Seat valve	Brass	EN 12164 - CW614N
Seat gaskets	Rubber	EPDM Perox
Piston 1/2" - 1 1/2" light	Brass and nylon	EN 12164 - CW614N + PA66 GF50
Piston 2" - 2 1/2" light	Stainless steel and nylon	BS EN 10088-3 GR. 1.4305 + PA66 GF50
Piston 3" - 4"	Brass and stainless steel	EN 12165 - CW617N + BS EN 10088-3 GR. 1.4401
Pressure gauge ports plugs	Nylon	PA6 GF15

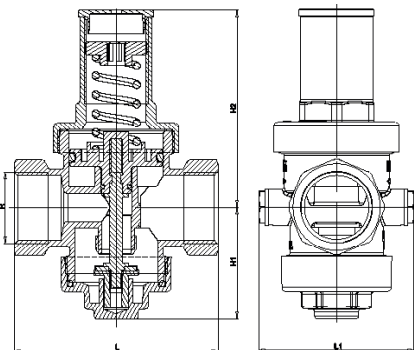
SPECIFICATION

Pressure Rating: PN25
 Medium: Water Only
 Connections: Female threads to ISO 228/1
 Outlet pressure range: 1-5.5 bar
 Pre set outlet pressure: 3 bar
 Temperature operating range: 0°C to 130°C
 Design standard: 1/2" to 1" Compliant to BS EN 1567
 1 1/4" to 4" Generally compliant to BS EN 1567
 Approvals: ACS • PED 2014/68/EU

The Pressure Reducing Valve (PRV) shall be piston actuated and ACS compliant. Outlet pressure should be externally adjustable from 1 to 5.5 bar, with capacity to accommodate a pressure gauge for easy reading. The body, bonnet and cap shall be manufactured from nickel plated brass, with Stainless steel seat and EPDM seat gaskets.

The PRV shall be PN25 Rated, and suitable for temperatures between 0 and 130°C as per Hattersley Fig. 325.

DIMENSIONAL DRAWING



DIMENSIONS & WEIGHTS

Nom Size	in	1/2	3/4	1	1 1/4	1 1/2	2	2 1/2	3	4
L	mm	69	82	96	100	121	121	131	197	197
L1	mm	63	63	73	73	84	84	94	127	127
H1	mm	42	42	52.5	56.5	67.5	67.5	75.5	91.5	91.5
H2	mm	72	72	93	95	150.5	150.5	154.5	121	121
Thread R	in	1/2"	3/4"	1"	1 1/4"	1 1/2"	2"	2 1/2"	3	4
Kv	m3/h	1.8	2.1	3.20	3.40	6.4	6.50	10.8	27.1	29.1
Weight	kg	0.54	0.61	1.03	1.26	2.34	2.49	2.81	7.4	8.06

For low inlet pressure applications, please refer to Fig. 425

Every effort has been made to ensure that the information contained in this publication is accurate at the time of publishing. Hattersley Ltd assumes no responsibility or liability for typographical errors or omissions or for any misinterpretation of the information within the publication and reserves the right to change without notice.

07/09/20