

Fig. 775 & 776 Automatic Air Vent



FEATURES & BENEFITS

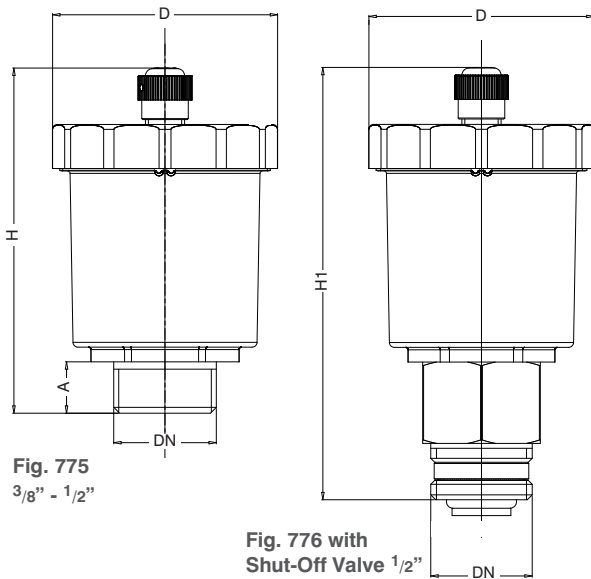
- Removes inevitable potentially dangerous air trapped in system
- Simplifies the venting process
- Saves time and costs
- WRAS approved for closed circuit use only
- A shut-off valve option is available in size 1/2 inch. Please specify when ordering Fig. 776
- Conforms to design standard BS EN 1074-4.



MATERIAL SPECIFICATION

Component	Material	Specification BS EN
Body 1"	Brass	EN12165 - CW617N
Body 3/8" to 3/4"	Brass	EN 1982 - CC754S
Cover	Brass	EN12165 - CW617N
Plug	Plastic	POLYAMIDE PA6 GF30%
Piston	Plastic	ACETAL
Seat	Brass	EN 12164 - CW614N
Gasket	Plastic	P.T.F.E.
Separating	Plastic	ACETAL
O-Ring	Rubber	EPDM PEROX
Spring	Stainless Steel	EN 10270-3 - 1.4310
Body isolation valve	Brass	EN 12164 - CW614N
O-Ring	Rubber	NBR
Lever	Plastic	ACETAL
Float	Plastic	POLYPROPYLENE
Seat Gasket	Rubber	NBR
Spring	Stainless Steel	AISI 302-EN 10270-3 NS
Hooking System	Plastic	ACETAL

DIMENSIONAL DRAWINGS



PRESSURE/ TEMPERATURE RATING

Fig. 775 - 10 bar at 120°C
Fig. 776 - 10 bar at 110°C

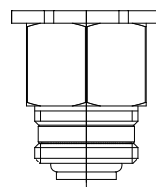
MAXIMUM DISCHARGE PRESSURE

7 bar

SPECIFICATION

Brass body and cover.
Polypropylene float.
EPDM seals.
WRAS approved for closed circuit use only.
BSP parallel thread.
Fig. 776 Shut-Off Valve option available in size 1/2".

Shut-Off Valve base



NOTE

Fig. 776 version with Shut-Off Valve base allows the Automatic Air Vent to be removed without draining the system

DIMENSIONS & WEIGHTS

Nom Size	in	Fig.775				Fig.776 1/2
		3/8	1/2	3/4	1	
D	mm	46	46	46	46	46
H/H1	mm	70.50	70.50	70.50	73.50	88
A	mm	10.50	10.50	10.50	13.50	10.50
Weight	kg	0.146	0.157	0.154	0.190	0.190

Every effort has been made to ensure that the information contained in this publication is accurate at the time of publishing. Hattersley Ltd assumes no responsibility or liability for typographical errors or omissions or for any misinterpretation of the information within the publication and reserves the right to change without notice.