

Fig. 306F PICV Offering Full Authority & Automatic Balancing Function

FEATURES & BENEFITS

- Energy savings: Optimal control creates energy savings when used as part of a variable flow system.
- Easy to install: For use with large plant items such as Air Handling Units (AHU), the PICV is compact and easy to install in limited and difficult site conditions.
- Accurate flow rates: Built-in differential pressure controller ensures accurate system design flow rates are achieved and eliminates overflows caused by fluctuating system pressures, which in turn reduces the system running costs.
- Precise temperature control: Linear or equal percentage characteristics, settable with an actuator, contribute to precise environmental temperature control.



MATERIAL SPECIFICATION

Component	Material	Specification
Body	Ductile Iron	EN-GJS-450-10 (GCD450)
Bonnet	Ductile Iron	EN-GJS-450-10 (GCD450)
Bottom Cover	Ductile Iron	EN-GJS-450-10 (GCD450)
O-Rings	EPDM	-
Flow Controller		
Seat	Bronze	BS EN 1982: CC491K
Plug	Bronze	BS EN 1982: CC491K
Stem	Stainless Steel	304S15 / 1.4301
Bearing Sleeve	Nylon	PA66
Guide Bush	Stainless Steel	304S15 / 1.4301
Pressure Controller		
Plug / Stem / Guide	Nylon	PA66
Diaphragm	EPDM	-
Diaphragm Plate	Stainless Steel	304S15 / 1.4301
Springs	Spring Steel	-

PRESSURE/TEMPERATURE RATING
PN16; 5°C to 110°C

OPERATOR:
Actuator supplied and fitted.
Can be configured to Modulating / 3 Point / On-Off Linear and Equal Percentage control characteristic

IP RATING: IP54

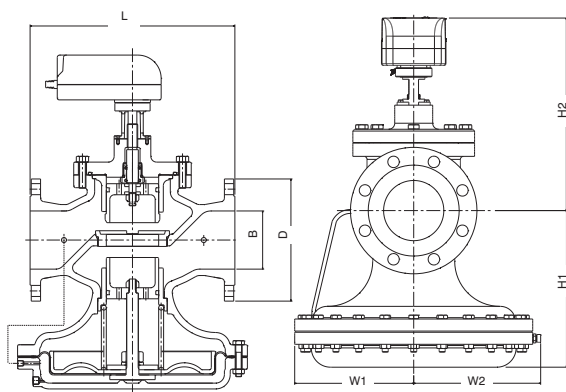
END CONNECTIONS:
Flanges to BS EN 1092-2 PN16

OPERATING RANGE:
50-400kPa at 100% Flow
40-400kPa at 80% Flow
30-400kPa at 30% Flow

FLOW ACCURACY: +/-10%

SEAT LEAKAGE:
Linear: Class IV (0.01% of Max flow)
Equal %: 2% of Max Flow

DIMENSIONAL DRAWINGS



DIMENSIONS & WEIGHTS

Size (DN)		50	65	80	100	125	150
L	mm	254	272	272	352	400	451
W1	mm	139	139	139	198	198	198
W2	mm	154	154	154	212	212	212
H1	mm	191	185	185	260	266	350
H2	mm	291	300	300	320	346	400
D	mm	165	185	200	220	250	285
B	mm	50	65	65	100	125	150
Weight	kg	33	40	43	74	93	162
Max flow rate	(m ³ /hr)	20	30	30	55	90	150

Suitable for use on Group 2 Liquids only, and limited to 110°C use as defined by Pressure Equipment Directive 2014/68/EU, and Pressure Equipment (Safety) Regulations 2016, as amended. Not suitable for use on Group 1 & Group 2 Gases, Group 1 Liquids or unstable liquids.

For commissioning valve coefficients (Kv) please refer to relevant section in this brochure. (See Index)

Every effort has been made to ensure that the information contained in this publication is accurate at the time of publishing. Hattersley Ltd assumes no responsibility or liability for typographical errors or omissions or for any misinterpretation of the information within the publication and reserves the right to change without notice.